

CSI-3K-S22002-ED

CSI-5K-S22002-ED



PV Inverter User Manual

(Part No: 2809001602 Release Date: March, 2021)

Contents

1 Introduction	1
1.1 General Information	1
1.2 User Manual Disclaimer	1
1.3 Limitation of Liability	1
1.4 Target Group	1
1.5 Symbol Conventions	1
1.5.1 Warnings in the manual	1
1.5.2 Labels on product and packaging	2
2 Safety Instruction	2
2.1 General Safety	2
2.2 Notice for Use	2
2.2.1 Personnel requirements	2
2.2.2 Operation requirements	2
2.2.3 Protecting labels	2
3 Product Overview	3
3.1 Product Introduction	3
3.2 Appearance	3
3.3 Product Nameplate	4
4 Storage	4
5 Unpackaging and Inspection	5
6 Installation	5
6.1 Basic Installation Requirements	5
6.2 Mounting Wall-mounting Bracket	6
6.3 Installing Inverter	7
7 Electrical Connection	8
7.1 Safety	8
7.2 Recommended Cables	8
7.3 Meter/CT Connection (Optional)	8
7.4 Wiring PE Cable	8
7.5 Wiring AC Output	9
7.6 Wiring DC Input	10
7.6.1 Requirement for DC input	11
7.6.2 Wiring	11
7.6.3 Connecting PV array (DC input)	12
8 Communication	12
8.1 Communication Mode	12
8.2 WiFi Data Logger	12
8.3 RS485	12
8.4 External GPRS (Optional)	13

9 Commissioning Inverter	13
9.1 Checking Electrical	13
9.2 Checking Mechanical	13
9.3 Start-UP Inverter	13
9.4 LED Indicators	13
9.5 Switch off	14
10 Daily Maintenance	14
11 SPD Maintenance	14
12 Trouble Shooting	15
12.1 Warning	15
12.2 Errors	15
13 Handling the Inverter	17
13.1 Removing Inverter	17
13.2 Packing Inverter	17
13.3 Disposing Inverter	17
ANNEX A: Acronyms and Abbreviations	17
ANNEX B: Specification	18
ANNEX C: 2809000901 CT Installation Guide	
ANNEX D: 2809001001 Single-Phase Meter Installation Guide	

1 Introduction

1.1 General Information

This manual provides important safety information on relating to the installation, maintenance and usage of single phase PV inverters. Both users and professional installers must read these guidelines carefully and strictly follow these instructions. Failure to follow these instructions may result in death, serious injury or property damage. Only qualified professionals and service personnel can do the installation and operation (refer to 62109-1). Installers must inform end-users (consumers) about the aforesaid information accordingly.

This manual is only valid for the PV inverter types, CSI-3K-S22002-ED and CSI-5K-S22002-ED produced by CSI Solar Co., Ltd.

1.2 User Manual Disclaimer

The information contained in this manual is subject to change by CSI Solar Co., Ltd. without prior notice. CSI Solar Co., Ltd. gives no warranty of any kind whatsoever, either explicitly or implicitly, with respect to the information contained herein.

In the event of any inconsistency among different language versions of this document, the English version shall prevail. Please refer to our product lists and documents published on our website at: <http://www.csisolar.com> as these lists are updated on a regular basis.

1.3 Limitation of Liability

CSI Solar Co., Ltd. shall not be held responsible for damages of any kind, including-without limitation-bodily harm, injury or damage to property, in connection with handling PV inverters, system installation, or compliance or non-compliance with the instructions set forth in this manual.

1.4 Target Group






This document is intended for installers and users.

1.5 Symbol Conventions





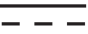




The symbols that may be found in this document or on the product packaging are defined as follows.

1.5.1 Warnings in the manual

A warning describes a hazard to equipment or personnel. It calls attention to procedure or practice.

Symbol	Description
 DANGER	DANGER indicates an imminently hazardous situation which, if not avoided, will result in death or serious injury.
 WARNING	WARNING indicates a potentially hazardous situation which, if not avoided, could result in death or serious injury.
 CAUTION	CAUTION indicates a potentially hazardous situation which, if not avoided, could result in minor or moderate injury.
 NOTICE	NOTICE indicates a situation which, if not avoided, could result in equipment or property damage.
 Information	Information indicates that you must read carefully to ensure optimal operation of the system.

1.5.2 Labels on product and packaging

Symbol	Description
	Hot surfaces! Risk of burns due to hot components!
	Danger to life due to high voltage!
	Time need to discharge stored energy in the capacitors.
	Grounding
	Direct Current (DC)
	Alternating Current (AC)
	Check the user manual before service.
	CE mark.
	WEEE designation.

2 Safety Instruction

2.1 General Safety

The Inverter has been designed and tested strictly according to the international safety codes, however, certain safety precautions must be observed when installing and operating this inverter. Read and follow all the instructions, cautions and warnings in this user manual carefully before any work and keep this manual for future reference.

2.2 Notice for Use

2.2.1 Personnel requirements

Only qualified personnel are allowed to install and commission the inverter, they should:

- 1) Receive professional training and get the authorization.
- 2) Be familiar with the safety specification about the electrical system.
- 3) Be familiar with the local requirements, rules and regulations.
- 4) Understand the composition and working principles of the grid-tied PV system.

2.2.2 Operation requirements

Use the inverter in installations that meet the following specifications only.

- 1) Permanent installation is required.
- 2) The electrical installation must meet all the applications and standards.
- 3) The inverter must be installed according to the instructions stated in this manual.
- 4) The inverter must be installed according to the correct technical specifications.
- 5) To startup the inverter, the Grid Main Switch (AC) must be switched on, before the solar panel's DC solar switched on. To stop the inverter, the Grid Supply Main Switch (AC) must be switched off before the solar panel's DC isolator switched off.

2.2.3 Protecting labels

- 1) Do not scrawl or damage any labels on the inverter enclosure because these labels contain important information about safe operation.
- 2) Do not scrawl or damage the nameplate on the inverter enclosure. This nameplate contains important product information.

3 Product Overview

3.1 Product Introduction

The inverters are single-phase grid-connected PV string inverters without transformer, which can convert the DC power from the photovoltaic (PV) strings into alternating current (AC) power, and feed the power into the power grid.

This document involves the following product models:

CSI-3K-S22002-ED; CSI-5K-S22002-ED.

PV grid-connected system mainly includes PV modules, DC switch, inverter, AC switch, electricity meter, and local grid. The PV power system diagram is shown as FIG.3-1.

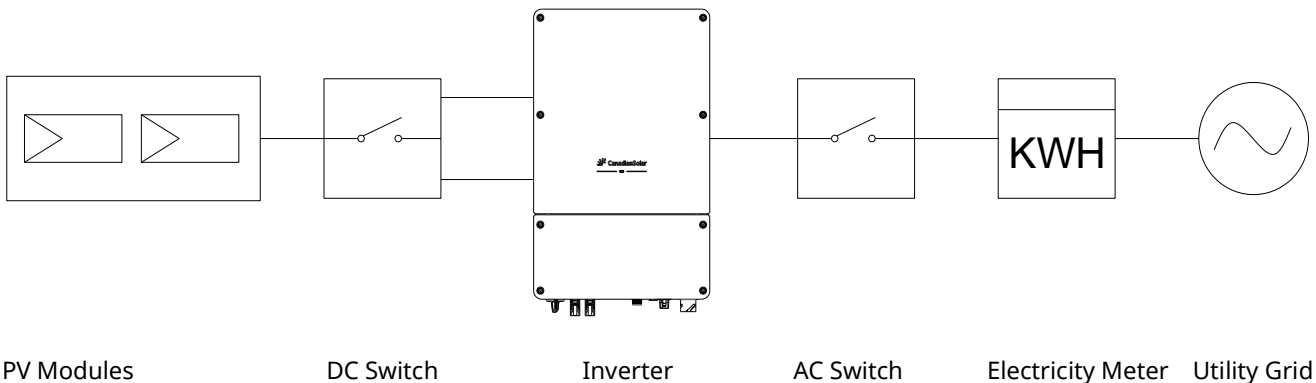
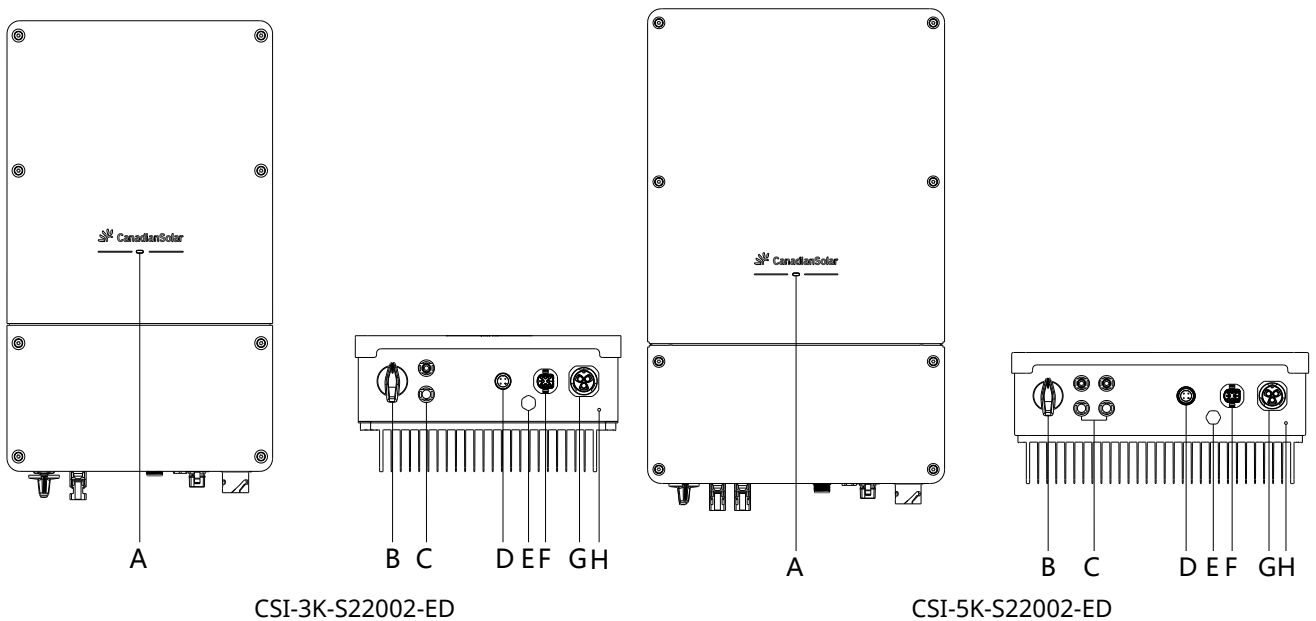


FIG. 3-1 PV Power System Diagram

3.2 Appearance

Front view and bottom view



Object	Name	Description
A	LED indicator	Indicates inverter operation status.
B	DC disconnect switch	Disconnect the DC current safely.
C	DC input connectors	/
D	Communication port	Connect wireless datalogger (WiFi or GPRS), RS485.
E	Waterproof and breathable valve	/
F	CT/Meter receptacle	Connect CT or Meter.
G	AC receptacle	/
H	External ground point	/

3.3 Product Nameplate

The nameplate provides a unique identification of the inverter (Product type, Device -specific characteristics, Certificates and Approvals).

The nameplate is on the left side of the enclosure.

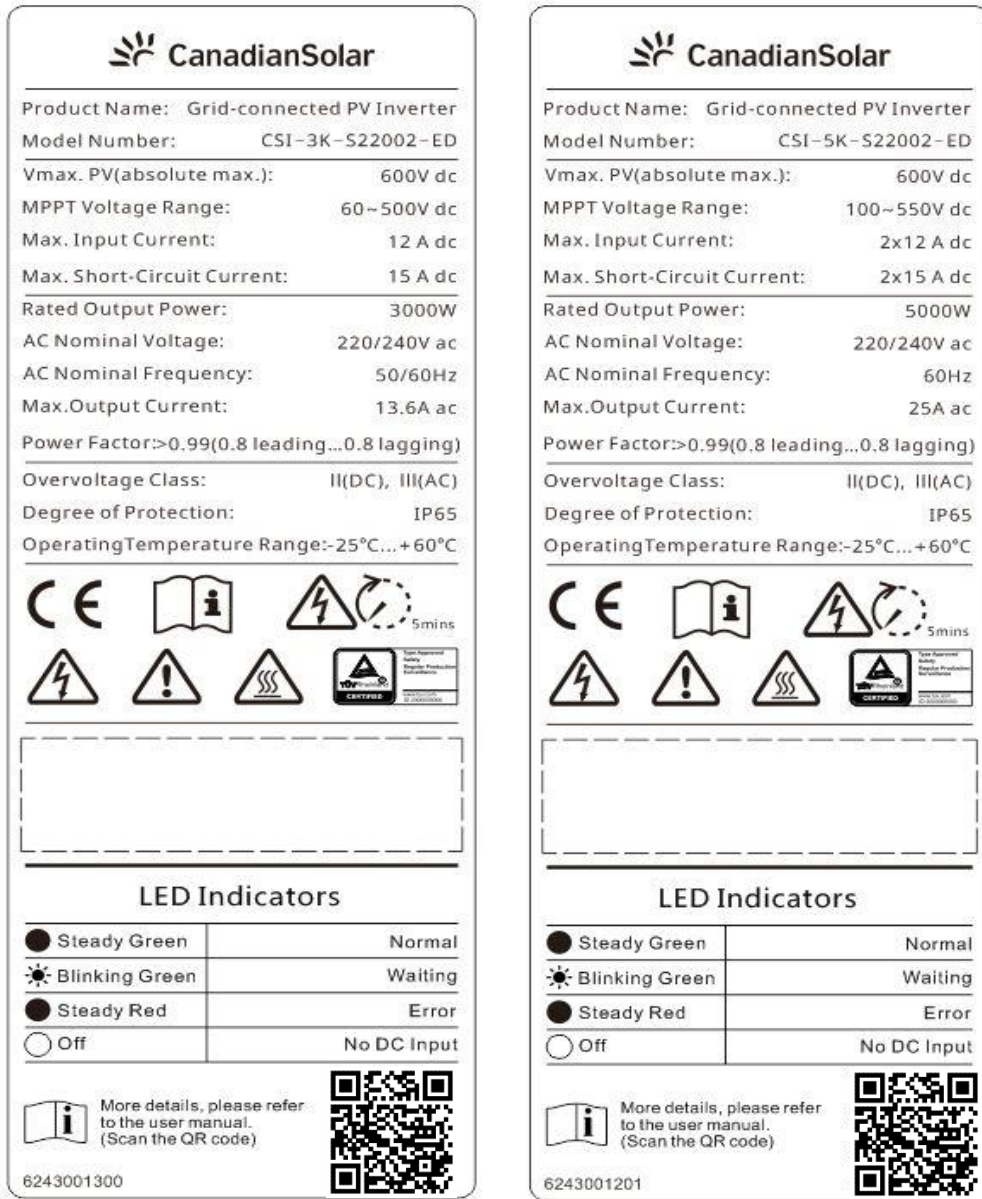


FIG.3-2 Inverter Nameplate (for reference)

4 Storage

The following requirements should be met when the inverters need to be stored:

Do not unpack the inverter.

Storage temperature: -40°C ~ +70°C.

Storage humidity: 0% ~ 100%RH (Non-Condensing).

The stored warehouse should be clean, well-ventilated, and non-corrosive gas, meanwhile it should be in a state of unimpeded access.

No smoking, no illegal use of electricity and fire.

When storing inverters, do not stack more than the allowed layers to avoid damage, which number marked on the product packaging.

Regular inspection is required during the storage.

After long periods storage, the inverters need to be inspected and tested by qualified persons before they are put into use.

5 Unpackaging and Inspection

Before unpacking the inverter, check the package appearance thoroughly, such as any holes and cracks, and check the inverter model accordingly. If discover any damage to the packaging which indicates the inverter may have been damaged, or the inverter model is not what you requested, do not unpack the product and contact your dealer immediately.

After opening the package, check all of the accessories carefully in the carton. If any damage is found or any component is missing, contact your dealer.

Note: For details information about the components, see the packing list document in the packing case.

6 Installation

6.1 Basic Installation Requirements

- 1) Do not install the inverter on the structures constructed of flammable, thermolabile or explosive materials.
- 2) The installation surface must be strong enough to bear the inverter's weight for a long period time. (Please check the inverter's weight in the product specification of ANNEX B).
- 3) The inverter is protected to IP65, can be installed indoors and outdoors.
- 4) The humidity of the installation location should be below 100% without condensation.
- 5) The ambient temperature should be between -25°C to 60°C .
- 6) Install at eye-level for easy operation.
- 7) Do not install the inverter near television antenna or any other antennas and antenna cables.
- 8) Ensure the inverter is out of children's reach.
- 9) Install inverter at the locations with some cover or protection, to ensure the optimum operation, as per FIG.6-1.
- 10) Do not install in small closed cabinet where air cannot circulate freely. Do not put any other objects on the inverter, as per FIG.6-2.
- 11) Comply with the Min. clearance to walls, other inverters, or objects to ensure the installation and maintenance, meanwhile for the good heat dissipation.



FIG.6-1 Inverter Installation Positions

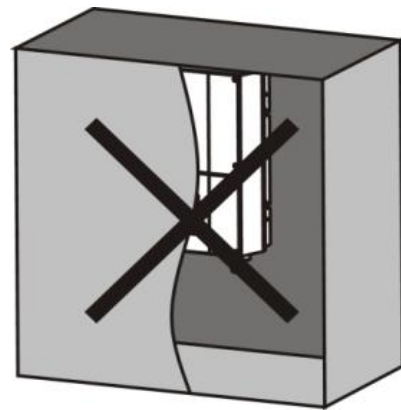


FIG.6-2 Forbid to Install in Small Closed Cabinet

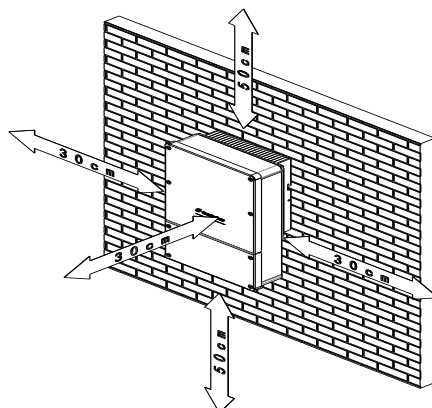


FIG.6-3 Installation Clearance Requirements

Direction	Min. clearance (cm)
Above	50
Below	50
Sides	30
Front	30

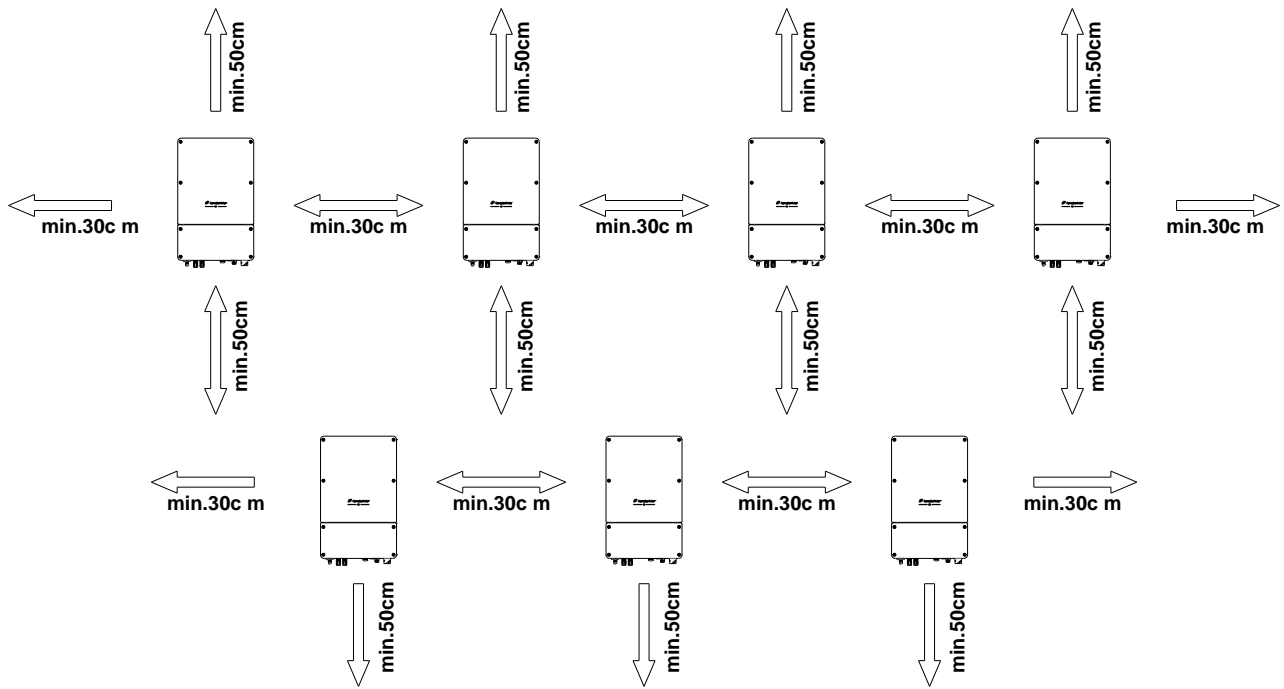


FIG.6-4 Staggered Installation Mode (Recommended)

12) Install the inverter vertically or at a maximum backward tilted angle of 15 degrees to facilitate heat dissipation.

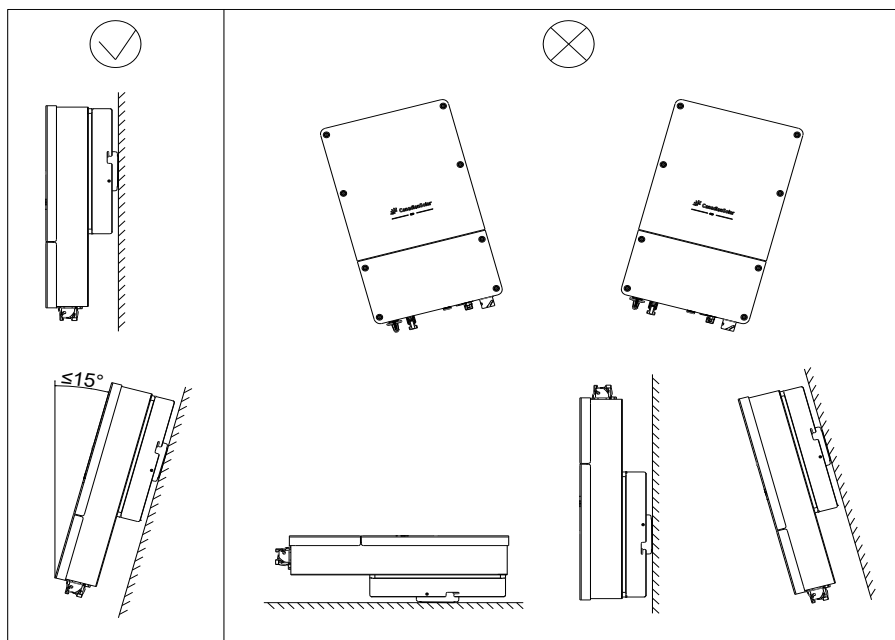



FIG.6-5 Installation Angle Requirements

13) Do not install the inverter outdoors in salt, sulfur or other corrosive areas.

The inverter would be corroded in salt (i.e. marine environments) area, and the corrosion may cause fire. In salt area refers to the region within 500 meters from the coast.

Please consult the CSI Solar Co., Ltd. technical support department on the use of inverters in special climates (i.e. salt, sulfur, or ammonia areas) which may affect the product warranty.

6.2 Mounting Wall-mounting Bracket

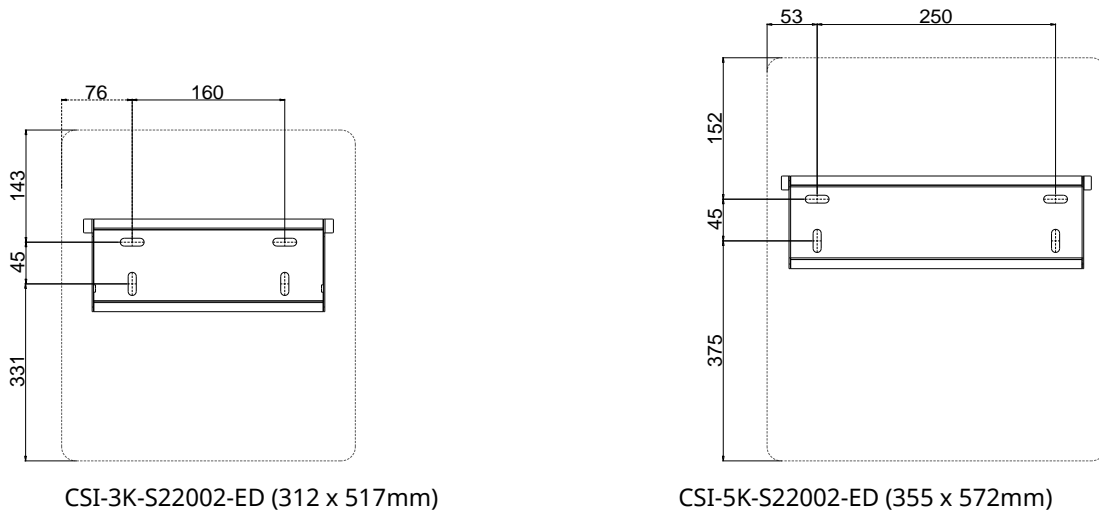
 Danger	To avoid electrical shock or other injury, please inspect existing electronic or plumbing installations before drilling holes.
--	--

Procedure:

1) Use the wall-mounting bracket as a template and mark the positions of the drill holes, then drill the 4 holes

accordingly, as per FIG. 6-6. (Diameter = 11mm, Depth ≥ 55mm).

Note: The external dimensions (W × H) of inverters are shown as dash line in FIG. 6-6.



CSI-3K-S22002-ED (312 x 517mm)

CSI-5K-S22002-ED (355 x 572mm)

FIG.6-6 Drilling Positions

2) Knock expansion anchors into the corresponding four holes, and then fix the wall-mounting bracket to the wall with self-tapping screws, as per FIG. 6-7 & FIG. 6-8.

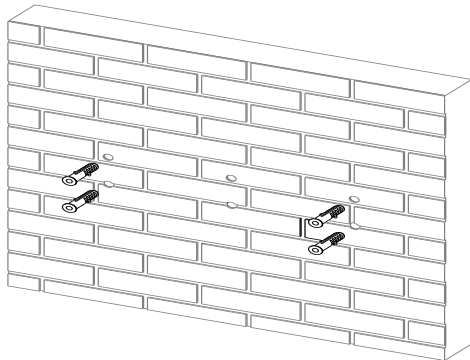


FIG.6-7 Install Expansion Anchors

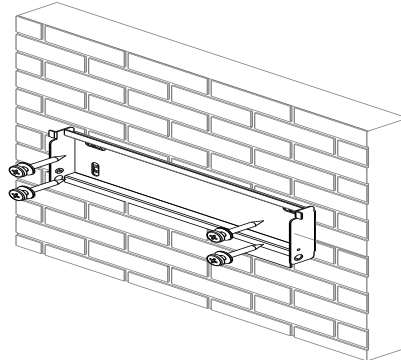


FIG.6-8 Fix Wall-mounting Bracket

6.3 Installing Inverter

Note: Must make sure the wall-mounting bracket has mounted on the wall firmly before install inverter.

Procedure:

- 1) Hang the inverter on wall-mounting bracket. Keep balance during the operation to prevent device damage from colliding with walls or obstacles, as per FIG. 6-9.
- 2) Use two safety bolts to fix both sides of inverter to ensure the inverter fixed to the wall firmly, as per FIG. 6-10.

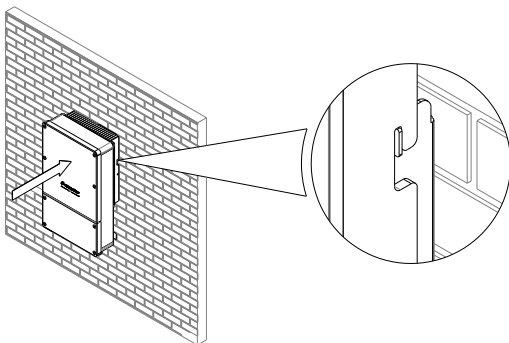


FIG. 6-9 Hang the Inverter on Wall-mounting Bracket

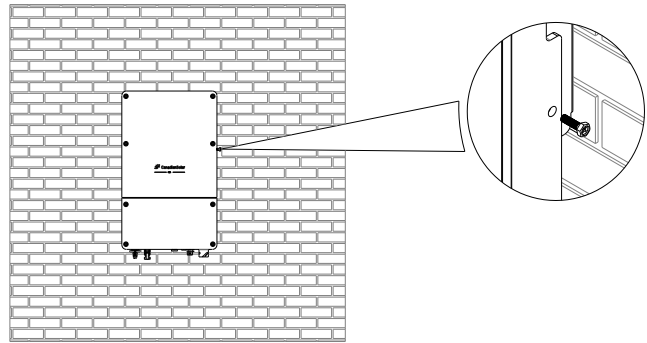


FIG. 6-10 Fix Both Sides of Inverter

7 Electrical Connection

7.1 Safety

 Danger	Danger to life due to lethal voltages in the inverter! Before performing any work on the inverter, must disconnect both AC and DC sides.
 Warning	Damage to electronic components may happen due to electrostatic discharge. Take appropriate ESD precautions when replacing and installing the inverter.

7.2 Recommended Cables

Cable Name	Cable Type	Conductor Cross-Sectional Area	Outer Diameter
DC input cable	PV cable, above 600V.	4~6mm ²	5.5~7.4mm
AC output cable	Three cores outdoor cable with copper conductor.	4~6mm ²	10~14mm
PE cable	Single core outdoor cable with copper conductor.	4~6mm ²	N / A

Note: No cable is supplied.

7.3 Meter/CT Connection (Optional)

The inverter has integrated export limitation functionality. To use this function, a power meter or a CT must be installed.

For installation and operation methods, see ANNEX part of meter and CT installation guides.

7.4 Wiring PE Cable

To achieve ground protection purpose, the inverter must be connected to the AC grounding conductor of the utility grid via PE cable.

 Warning	Because of the transformerless design, the DC positive pole and DC negative pole of PV arrays cannot do grounding.
-------------	--

Note: The PE point at the AC output point is used only as a PE equipotential point, and cannot substitute for the PE point on the enclosure.

Procedure:

- 1) Insert the grounding conductor into the suitable terminal lug and crimp the contact.
- 2) Fix terminal lug on external ground point by screw M4x10. Torque: 1.4 N.m.

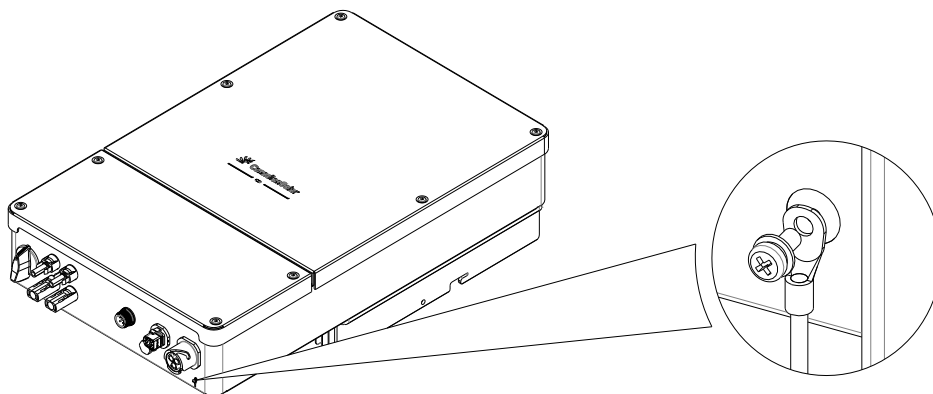


FIG. 7-1 External Grounding Point Position

7.5 Wiring AC Output

<p>Warning</p>	<p>To ensure the inverter can be safely disconnected with load, must install a separate single-phase circuit-breaker or other load disconnection unit for each inverter.</p> <p>Note: The inverter is equipped with integrated RCM (Residual current operated monitor) and RCD (Residual current protective device). The rated residual current of the circuit breaker must be over 300mA when the AC circuit breaker with RCM function selected.</p>
<p>Notice</p>	<p>When using inverter comply with VDE-AR-N 4105: The total capacity of PV-inverter system cannot exceed 13.8KVA, and the adjustment function of inverter's displacement power factor must comply with VDE-AR-N 4105.</p> <p>When using inverter comply with CEI 0-21: The total capacity of PV-inverter is more than 3KW and less than or equal 6KW, the inverter's displacement power factor is adjustable between 0.95 leading to 0.95 lagging, and do not need external SPI. The total capacity of PV-inverter is more than 6KW, the inverter's displacement power factor is adjustable between 0.9 leading to 0.9 lagging, meanwhile need external SPI.</p>

Install an independent two-pole circuit breaker at the output side of the inverter for protection, the recommended AC circuit-breaker specifications are as follows:

Inverter type	AC circuit-breaker specifications
CSI-3K-S22002-ED	25A
CSI-5K-S22002-ED	32A

Recommend AC cable length:

Inverter Type	Conductor cross section	Allowed Max. length	
		4.0 mm ²	6.0 mm ²
CSI-3K-S22002-ED		53 (m)	79 (m)
CSI-5K-S22002-ED		29 (m)	43 (m)

AC Three-core cable:

The grid connection is established by using three-core wire (L, N, and PE, as per FIG. 7-3).

Components of AC connector:

The AC connector is made of four components: pressure nut, sealing ring, threaded sleeve, plug.

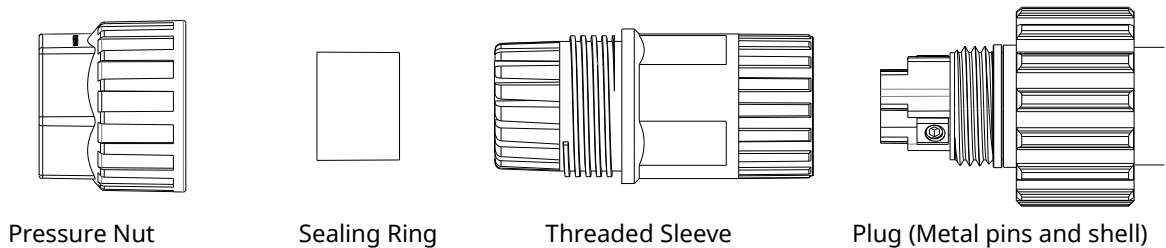


FIG. 7-2 Components of Connector

AC connectors have two types, EXCEEDCONN type or DEVALAN type, follow-up procedure:

1) Strip the cable's jacket, and then adjust the relative length of L, N and PE cables, to make the length of PE cable is at least 5mm longer than L and N ones, as per FIG. 7-3.

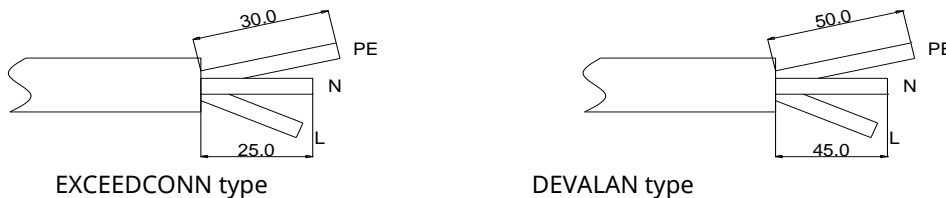


FIG. 7-3 Adjust the Cable Length

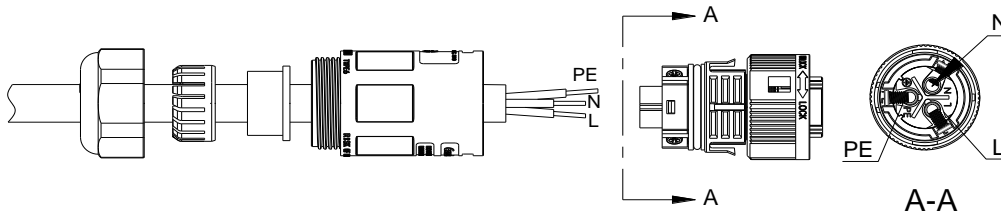
2) When using flexible cables, the conductor must be connected with suitable core end ferrules according to DIN 46228-4, as per FIG. 7-4.



FIG. 7-4 Crimp the Three-core's Ferrule

Insert the L, N, and PE conductors into the corresponding pins of the plug (as per FIG. 7-5), then tighten the fastening screws by screwdriver to fix conductors firmly.

EXCEEDCONN type (Torque 0.8N.m) :



DEVALAN type (Torque 1.4N.m) :

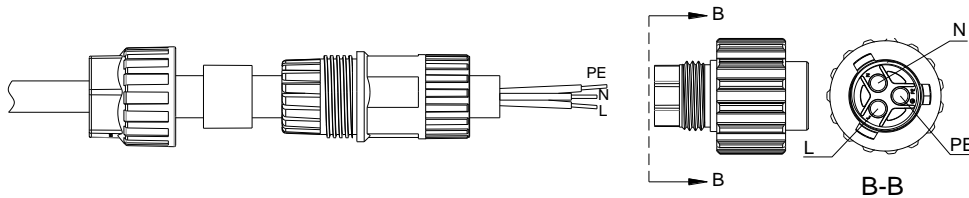
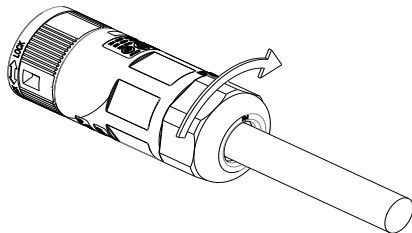
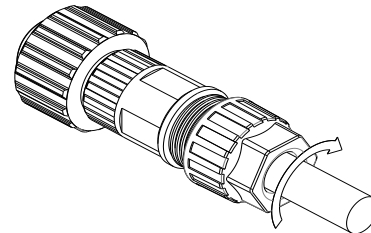


FIG. 7-5 AC Terminal Positions

3) Push the threaded sleeve into the plug, screw the press nut tightly.



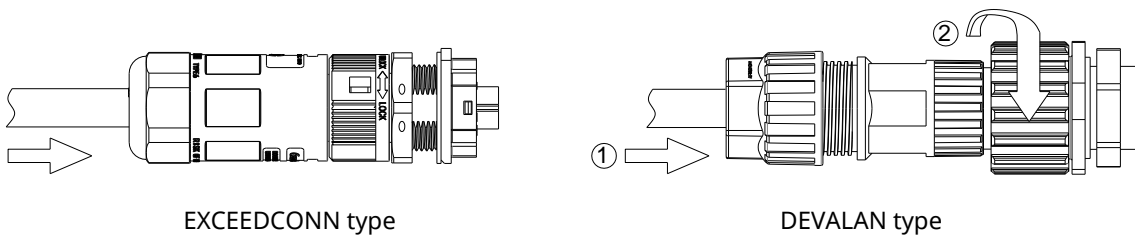
EXCEEDCONN type



DEVALAN type

FIG. 7-6 Tightening the AC Connector

4) Finally, insert the AC connector into the corresponding AC receptacle on the inverter. Pay attention to the polarities to make sure the correct assembling.



EXCEEDCONN type

DEVALAN type

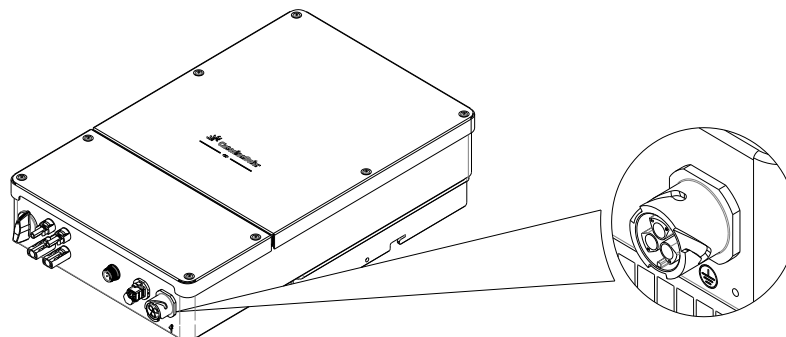


FIG. 7-7 Installing the AC Connector

7.6 Wiring DC Input

Note: The DC connectors are in paired (negative and positive ones). Pay attention to the polarities when assembling.

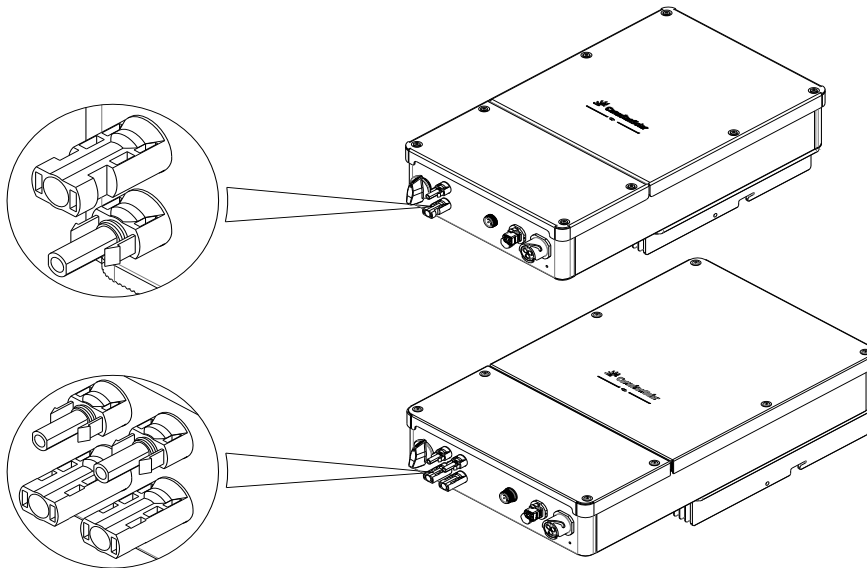


FIG. 7-8 DC Input Connectors

7.6.1 Requirement for DC input

This single-phase inverter is equipped with one / two MPP trackers.

Requirements for PV module strings:

- 1) Same type.
- 2) The power, voltage (startup and open-circuit voltage) and operating current of each PV strings must meet the allowable value of the inverter.

Note: Consider temperature coefficient of the PV modules.

Check the inverter specification in section ANNEX B.

7.6.2 Wiring



Negative Coupler & Contactor Pin Positive Coupler & Contactor Pin.
FIG. 7-9 Structure Illustration of DC Connector

Procedure:

- 1) Strip the insulation of cable to about 7.5mm with the wire stripper tool. Note do not damage the conductors when do the stripping, as per FIG. 7-10.
- 2) Place the contact around the conductors of the stripped cable, then crimp the contact with wire crimping pliers, as per FIG. 7-11.

Ensure the conductors completely wrapped without loosening or damage.

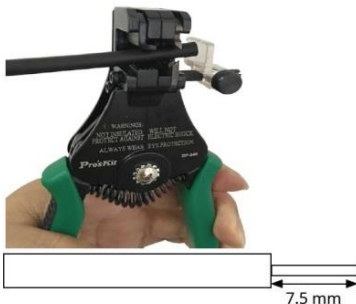


FIG. 7-10 Strip the Cable Insulating Layer



FIG. 7-11 Crimp the Contact

- 3) Insert the crimped contact pin into the connector back until one click audibly. Pull lightly on the cable to ensure the contact pins of the connectors are engaged. Pay attention to the polarities when assembling.
- 4) Tighten the nut with a special wrench. Torque: 2.5~2.9 N.m.



FIG. 7-12 Insert the Contact



FIG. 7-13 Tighten the Cable Gland

5) Insert the assembled connectors into the bottom terminal of the inverter until one sound click audibly. The locked DC connectors can only be disconnected with special tool.

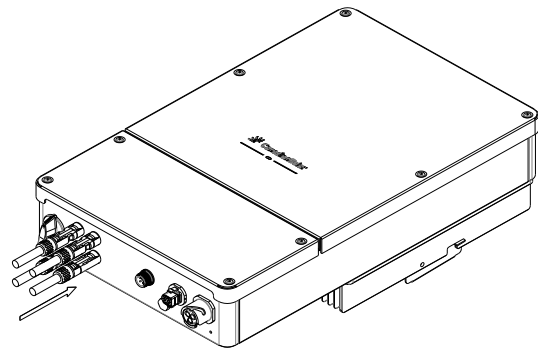
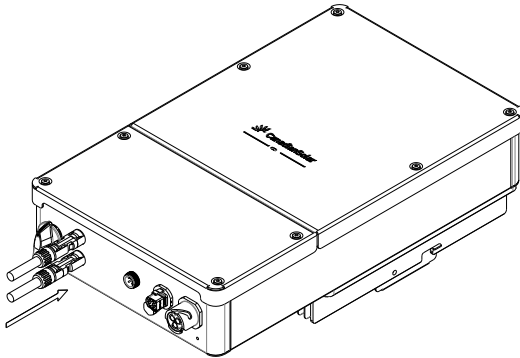




FIG. 7-14 Illustration of DC Ports

7.63 Connecting PV array (DC input)

 Danger	Ensure the DC switch and AC breaker both are disconnected from the inverter before connect the PV arrays. Never connect PV array positive or negative pole to the ground, it could cause serious damages to the inverter.
 Warning	Improper operation during the wiring process can cause fatal injury to the operator or unrecoverable damage to the inverter. Only qualified personnel can perform the wiring work.

8 Communication

8.1 Communication Mode

Multi communication patterns for option, RS485 (Built-in module), GPRS, and WIFI, with the communication port M16.

8.2 WiFi Data Logger

More details for installation and operation methods please refer to the WiFi data logger user manual.

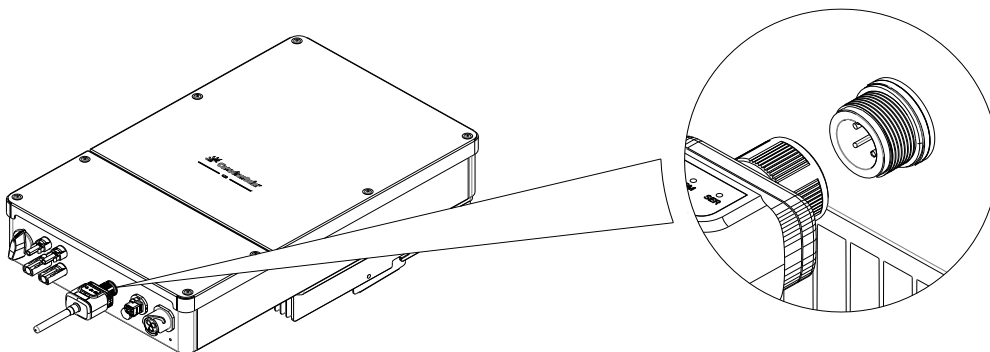


FIG. 8-1 Communication Port

8.3 RS485

Connect the communication port with a RS485-to-usb port converter via RS485 serial line, and then connect this

module to PC.

8.4 External GPRS (Optional)

The external GPRS communication module is used for remote monitoring. More details for installation and operation method please refer to the GPRS user manual (Note, no SIM card provided from CSI Solar Co., Ltd.).

9 Commissioning Inverter

9.1 Checking Electrical

1) Check PE connections with multi-meter:

To make sure all the bare metal surfaces of the inverter are grounded.

2) Check DC voltage value:

Check if the DC voltage of the PV string exceeds the allowable range.

3) Check the polarities of the DC voltage:

To make sure the DC polarities are correct.

4) Check the ground insulation of PV array with multi-meter:

Ensure the impedance value of ground insulation is more than 1MΩ.

9.2 Checking Mechanical

1) Ensure the inverter is installed properly, fixed with a Wall-mounting bracket firmly, and the upper cover is installed correctly.

2) Ensure the AC connectors are installed properly and fixed firmly.

3) Ensure the dust covers are sealed reliably which are used for the empty DC connectors.

4) Ensure all the cables are connected effectively, fixed firmly, and no visible damages to the insulation layers.

9.3 Start-UP Inverter

After electrical and mechanical inspections, first turn on the AC main switch/breaker, then turn on the DC switch. The inverter will start automatically when the DC input voltage meets the performance requirement of the utility grid.

Normally there will be three statuses during the operation (refer to the LED indications):

1) Waiting:

Conditions: The initial DC voltage of the PV strings is greater than the Min. DC input voltage, but is lower than the DC start-up input voltage.

Inverter cannot start-up normally and cannot feed power into utility grid either.

2) Checking:

Conditions: The initial voltage of the PV strings exceeds the start-up DC input voltage of the inverter. Meanwhile both the voltage and frequency of the utility grid are normal.

Inverter will check the feeding conditions immediately. If anything wrong during checking, inverter will switch to the "Fault" mode.

3) Normal:

Conditions: All the checking results are normal.

Inverter will switch to "Normal" mode and feed power into utility grid.

The inverter may turn on and off continuously during the period of low or absent sunlight due to the shortage of power generated by the PV modules. If such fault occurs frequently, please contact the maintenance personnel.


Note: For the monitoring and local APP information, please refer to documents published on our website at:

<https://monitoring.csisolar.com/platformSelect>.

9.4 LED Indicators

No.	Operate states	LED Indicators	Flicker frequency
1	Wait	Green LED flicker	1s On, 1s Off
2	Normal	Green LED always on	/
3	Error	Red LED always on	/






9.5 Switch off

 DANGER	Never connect or disconnect the DC connectors under load.
---	---

Procedure:

- 1) Turn off the AC main switch.
- 2) Turn off the DC switch.
- 3) Check the inverter operating status.
- 4) Wait until LED indicator has gone out, which indicates the inverter has been shut down.

10 Daily Maintenance

 DANGER	Risk of inverter damage or personal injury due to incorrect service! Always keep in mind that the inverter is powered by dual sources: PV array and utility grid. Before any service work, observe the following procedure. 1) Disconnect the inverter from the utility grid side first and then PV array. 2) Wait at least 5 minutes after shun down the inverter, for inner capacitors to discharge completely. 3) Verify that no voltage and current existing with appropriate testing devices.
 CAUTION	Keep non-related persons away! A temporary warning sign or barrier must be posted to keep non-related persons away while performing electrical connection and service work.
 NOTICE	Risk of inverter damage if it is improperly serviced. Use accessories and spare parts approved by the inverter manufacturer only. Never modify the inverter or other components of the inverter. The loss of any or all warranty rights may follow if otherwise.
 NOTICE	Any malfunction that may impair the inverter safety operation must be repaired immediately before the inverter is restarted. Inverter contains no customer serviceable parts inside. Please contact local authorized personnel if any service work is required.
 Information	Servicing of the device in accordance with the manual should never be undertaken in the absence of proper tools, test equipments or the more recent revision of the manual with has been clearly and thoroughly understood.

Items	Methods	Period
System clean	Check the temperature and dust of the inverter. Clean the inverter enclosure. Check the humidity and dust of the environment. Meanwhile check whether the filter function of the air inlet is ok.	Six months to a year (it depends on the dust contents in air.)

11 SPD Maintenance

If surge protection device (SPD) is damaged, it is necessary to replace the damaged cores of the SPD in time, as per FIG. 11-1.

1. Turn off the AC main switch.
2. Turn off the DC switch.
3. Wait for 5 minutes after shun down the inverter.
4. Remove the 4 screws on the inverter cover and open the cover.
5. Press and hold the spring clip on the upper and lower sides of the damaged core and replace it.

Note: If severely damaged, replace the SPD module directly.

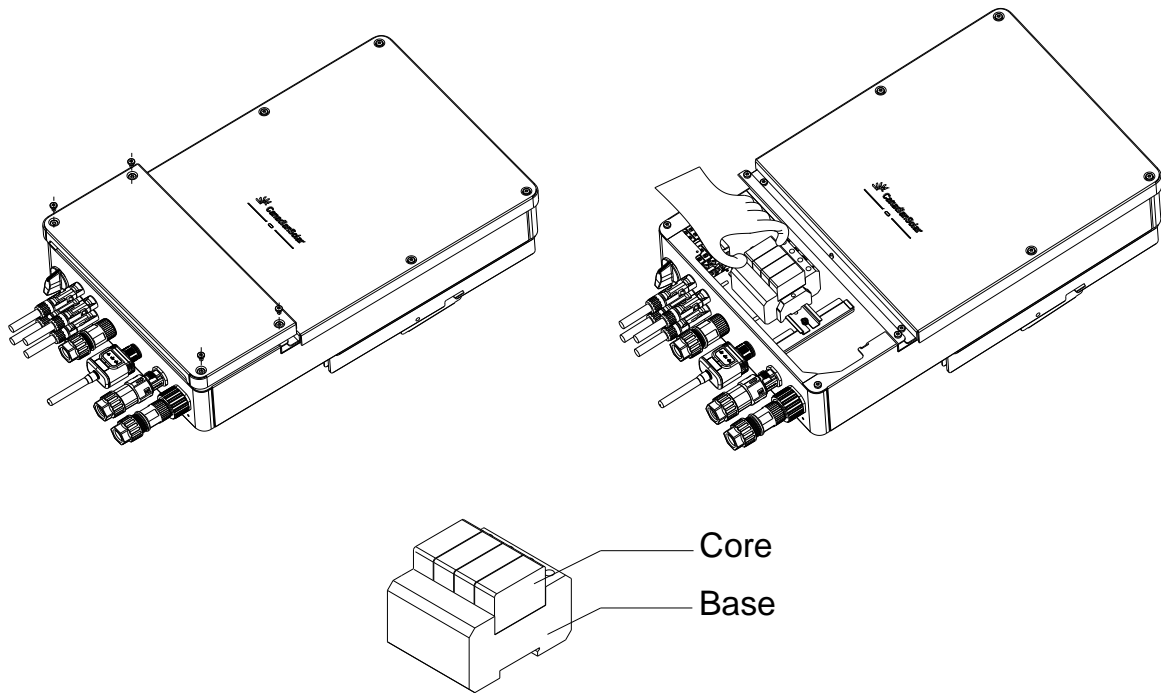


FIG. 11-1 Replace the SPD

12 Trouble Shooting

When inverter does not operate normally, we recommend the following actions for quick troubleshooting. Please review the error list table carefully.

12.1 Warning

The different LED colors and flashing status identify the current operation statuses of the inverter. If the red color is always on, it indicates the inverter fault. Usually the warnings can be cleared through an orderly shutdown / reset or a self-corrective action performed by the inverter.

12.2 Errors

Error codes identify a possible equipment fault, or incorrect setting/ configuration. Any and all attempts to correct or clear a fault must be performed by qualified personnel. Typically, the Errors code can be cleared once the cause or fault is removed.

However, some of the (E) codes may cannot be cleared, in this case please contact the dealer or CSI Solar Co., Ltd. to replace a new one.

Errors as indicated in the table below:

Error Code	Error Message	Suggestion
F-100	Over temperature	<ol style="list-style-type: none"> 1. Check heatsink for obstructions/ventilation. 2. Check the ambient temperature around the inverter.
F-101	High DC input voltage	<ol style="list-style-type: none"> 1. Disconnect the DC switch, remove the DC connector, measure the voltage of the PV string, and check if it exceeds the input-voltage specification of the inverter. 2. If exceed the specification, re-layout the PV module string. 3. If not exceed the specification, while the error still exists, please contact Customer Service.
F-103	Unconnected grid	<ol style="list-style-type: none"> 1. Turn off DC switch, remove AC connector, measure the voltage between fire line and the zero line, then check if it is consistent with the grid-connected specification of inverter. 2. Inconsistent, check if the AC main switch is connected, check if the power supply is normal working. 3. Consistent, connect the AC connector, turn on the DC Switch. 4. If error message still exists, contact Customer service.

F-104	Inverter grid-connected relay fault	Contact Customer service.
F-105	Grid frequency fault	<ol style="list-style-type: none"> 1. If power grid frequency returns to normal, the inverter will restore the grid connection automatically. 2. If error message still exists, contact Customer service.
F-106	Grid voltage fault	<ol style="list-style-type: none"> 1. Turn off DC switch, remove AC connector, measure the voltage between fire line and the zero line, then check if it is consistent with the grid-connected specification of inverter. 2. Inconsistent, check the grid layout. 3. Consistent, connect the AC connector, turn on DC Switch, inverter will restore the grid connection automatically. 4. If error message still exists, contact Customer service.
F-107	DC component over range	<ol style="list-style-type: none"> 1. Restart inverter. 2. If error message still exists, contact Customer service.
F-108	Current sensor fault	<ol style="list-style-type: none"> 1. Wait until inverter restores normal work. 2. If error message still exists, contact Customer service.
F-110	Leakage current detection unit fault	<ol style="list-style-type: none"> 1. Check if there is any PV cable breakage. 2. Check if the PV modules grounding improperly. 3. Restart inverter. 4. If error message still exists, contact Customer service.
F-111	Leakage current fault	<ol style="list-style-type: none"> 1. Check if PV strings grounding properly. 2. If error message still exists, contact Customer service.
F-112	DC insulation fault	<ol style="list-style-type: none"> 1. Check if inverter grounding properly. 2. Check if the positive and negative poles of PV modules are short out to the PE cable. 3. Wait until inverter restores normal work. 4. If error message still exists, contact Customer service.
F-113	Leakage current detection consistency error (Major)	<ol style="list-style-type: none"> 1. Restart the inverter. 2. If error message still exists, contact Customer service.
F-114	Frequency detection consistency error (Major)	<ol style="list-style-type: none"> 1. Restart the inverter. 2. If error message still exists, contact Customer service.
F-115	Power grid voltage detection consistency error (Major)	
F-116	Leakage current detection consistency error (Minor)	
F-117	Frequency detection consistency error (Minor)	
F-118	Power grid voltage detection consistency error (Minor)	
F-123	Secondary memory failure	<ol style="list-style-type: none"> 1. Restart the inverter. 2. If error message still exists, contact Customer service.
F-124	Clock failure	
F-125	Internal communication failure	
F-129	Main memory failure	

13 Handling the Inverter

13.1 Removing Inverter

- 1) Turn off the inverter as described in section 10 and section 11.
- 2) Remove all the connection cables from the inverter.
- 3) Unscrew the fixing screws on both sides of the inverter.
- 4) Remove the inverter from the bracket.

Note: Before performing any work, ensure that you are familiar with this document.

13.2 Packing Inverter

If possible, use the original packaging, or the packaging that is suitable for the weight and dimensions of the inverter.

13.3 Disposing Inverter



Do not dispose the obsolete inverters or accessories together with household waste. Please refer to the disposal regulations.

ANNEX A: Acronyms and Abbreviations

AC	alternating current
CT	current transformer
DC	direct current
GPRS	general packet radio service
LED	light emitting diode
MPPT	maximum power point tracking
PC	personal computer
PE	protecting earthing
PV	photovoltaic
RCD	residual current protective device
RCM	residual current operated monitor
SPD	surge protection device
THDi	total distortion of the input current waveform
WiFi	wireless fidelity
WEEE	waste electrical and electrical equipment

ANNEX B: Specification

Model	CSI-3K-S22002-ED	CSI-5K-S22002-ED
Input (DC)		
Max. DC Input Power (W)	4080	6500
Max. DC Input Voltage (V)	600	600
Startup DC Input Voltage (V)	60	110
MPPT Operating Voltage Range (V)	60 ~ 500	100 ~ 550
Rated Input Voltage (V)	360	360
Max. Input Current (A)	12	12 / 12
Max. Short-Circuit Current (A)	15	15 / 15
Number of MPP Trackers	1	2
Number of DC Inputs	1	1 / 1
Output (AC)		
Rated Output Power (W)	3000	5000
AC Grid Connection Type	L / N / PE	
AC Nominal Voltage And Range (V)	220 / 230 / 240 (180 ~ 280)	
AC Nominal Frequency And Range (Hz)	50 / 60 (±5)	
Max. Output Current (A)	13.6	25
Power Factor(@ Rated Output Power)	> 0.99	
Displacement Power Factor	0.8 leading to 0.8 lagging	
Total Harmonic Distortion (THDi)	< 3%	
Efficiency		
Max. Efficiency	97.8 %	98.0 %
European Efficiency	97.1 %	97.5 %
MPPT Efficiency	> 99.9 %	> 99.9 %
Safety & Protection		
DC SPD	Type II	
DC Switch	Integrated	
Anti-Islanding Protection	Integrated	
DC Reverse-Protection	Integrated	
Insulation Monitoring	Integrated	
AC Over Voltage Protection	Integrated	
AC Over Current Protection	Integrated	
AC Short-Circuit Protection	Integrated	
Residual Current Protection	Integrated	
Overvoltage Class	II (DC), III (AC)	
General Parameters		
Dimensions (W × H × D, mm)	312 x 517 x 156	355 x 572 x 158
Net Weight (kg)	10	15
Installation Method	Wall-mounted	
DC Connection Type	MC4	
AC Connection Type	Connector	
Communication Interfaces	M16 (WiFi / RS485 / GPRS Optional)	
Cooling	Natural convection	
Protection Degree	IP65	
Operating Ambient Temperature Range (°C)	-25~60 (> 45, derating operation)	
Relative Humidity (Non-Condensing)	0% ~ 100%	
Max. Operating Altitude (m)	4000 (> 3000, derating operation)	
Acoustic Noise Emission Level(dBA)	< 25	
Topology	Transformerless	
Night Power Consumption (W)	< 1	
Safety and EMC	IEC 62109-1/2, IEC 61000-6-1, IEC 61000-6-3	
Grid Connection Standard	ABNT NBR 16149 / 16150:2013, IEC 61727, IEC 62116	

China – Global Headquarters

CSI Solar Co., Ltd.

199 Lushan Road, SND, Suzhou, Jiangsu, China, 215129

Sales Inquiries Email: info@csisolar.com

Customer Support Email: service.ca@csisolar.com

INVERSOR DE CORRIENTE

Marca: Canadian Solar

Modelo: CSI-5K-S22002-ED

Hecho en China

Especificaciones eléctricas

Corriente Continua 

Entrada Max : 600 V 

Rango de Voltaje MPPT : 100-550 V 

Corriente de Entrada Max : 2x12 A

Corriente de Corto Circuito Max: 2x15 A

Corriente Alterna ~

Potencia Nominal de Salida: 5 000 W

Voltaje Nominal: 220/230 V~

Frecuencia : 50/60 Hz

Corriente Máxima Salida: 25 A

Factor de potencia:

>0.99 (0.8 Adelantado.... 0.8 Atraso)

Grado de Protección: IP65

Temperatura de Trabajo: - 25 °C a 60 °C

Categoría de Sobretensión: II () , III (~)

Importado por:

CANADIAN SOLAR MEXICO, S.A. DE C.V.

Dirección: LAGO ZURICH #219, PISO 15,
OFICINA 1501-B, COLONIA AMPLIACIÓN
GRANADA, ALCALDÍA MIGUEL HIDALGO,
C.P. 11529, CIUDAD DE MÉXICO, MÉXICO.

NOM