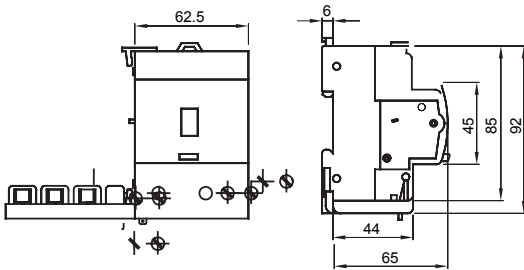




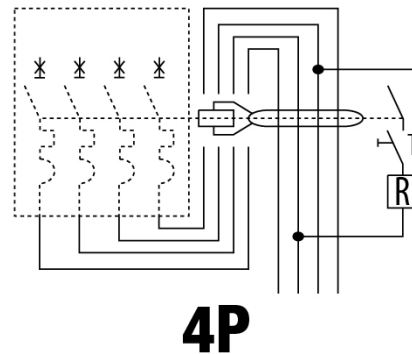
| Description  | RESIDUAL CURRENT DEVICE |
|--|-------------------------|
| Code   | BD                      |
| No. of poles   | 4P                      |
| No. modules  | 3.5                     |
| Rated current  | 25 A                    |
| Rated residual operating current                               | 500 mA                  |
| Type   | A                       |
| Rated voltage (IEC/EN 61009-1 app. G, IEC/EN 61009-2-1 app. G) | 400 V                   |

|                         |  |  |                        |
|-------------------------|--|--|------------------------|
| Standard                | IEC/EN 61009-1 app. G, IEC/EN 61009-2-1 app. G | Rated frequency (Hz)                   | 50/60 Hz               |
| Insulation voltage (Ui) | 500 V  | Rated impulse withstand voltage (Uimp) | 4 kV                   |
| Overvoltage category    | III  | Level of immunity (8/20 μs)            | 250 A                  |
| Section rigid cable     | Max 35 mm <sup>2</sup>                         | Section flexible cable                 | Max 35 mm <sup>2</sup> |
| Operating temperature   | -25 +40 °C                                     | Stocking temperature                   | -40°C + +70°C          |
| Rated tightening torque | 2 Nm   | Assembly position                      | Any                    |

### DIMENSIONAL



### WIRING DIAGRAM



### STANDARDS/APPROVALS

