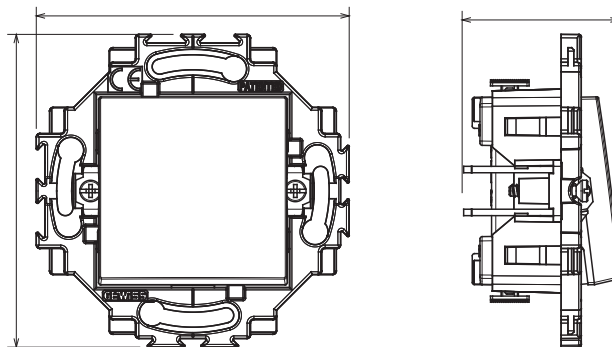


Residential series suitable for installations on round and square boxes, characterised by an elegant appearance and classic shapes. The plates, made of technopolymer in seven colours and with different modularities, from 1 to 5-gang, can be installed in both horizontal and vertical positions. The series, developed around a core of monobloc devices, is available in two colours: white and ivory, both with a glossy finish. Expandable with ChorusSmart modular devices.

|   |  |                                 |                        |
|---|--|---------------------------------|------------------------|
| Category  | Switch                                 | Button key                      | Neutral                |
| Colour  | Ivory                                  | Material                        | Technopolymer          |
| Finishing   | Glossy                                 | Description                     | 1P - 10AX illuminable  |
| Voltage   | 250 V ac                               | Type of terminals               | Screwless              |
| Fixing  | With clutches/Screws                   | Rated power of 230V LED lamps   | 100 W                  |
| Glow wire test                                      | 850 °C                                 | Thermo-pressure with ball       | 125 °C                 |
| Resistance at test voltage                          | 2000 V at 50 Hz for 1 minute           | Insulation resistance           | > 5 MOhm               |
| Prolonged operation switch (no.of position changes) | 40.000 at In 250 V ac cosφ=0,6         | Terminal grip on cable traction | 30 N                   |
| Terminal tightening capacity                        | 0,5-2x2,5 mm <sup>2</sup> rigid cables | Standard                        | EN 60669-1; 2014/35/EU |

### DIMENSIONAL

3.87



### TECHNICAL SYMBOLOGY

**GWT**



850 °C

125 °C

### STANDARDS/APPROVALS

