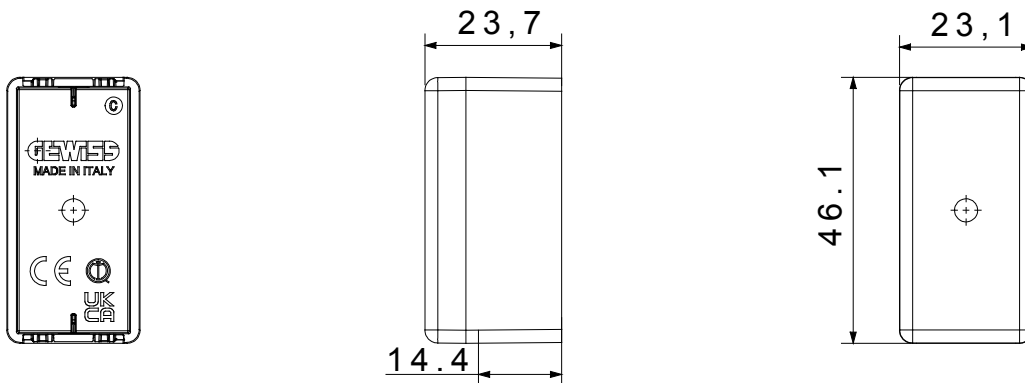




The System modular devices make it possible to create infinite combination between devices and plates, thanks to a complete range that is able to satisfy all design, functional and installation requirements. Colour and finiture: glossy white, bright and versatile
The range includes commands, socket- outlets, protection, indicators, connectors and devices for the control, safety and comfort of your home.

Category	Blanking module with cable output	Colour	White
Description	1 module with outlet for cable Ø 4 and Ø 8mm	Standard	EN 60669-1
Thermo-pressure with ball	125 °C	Glow Wire Test	850 °C
No. SYSTEM modules	1	Material	Technopolymer
Electrocod	0100		

DIMENSIONAL



TECHNICAL SYMBOLOGY



STANDARDS/APPROVALS

