

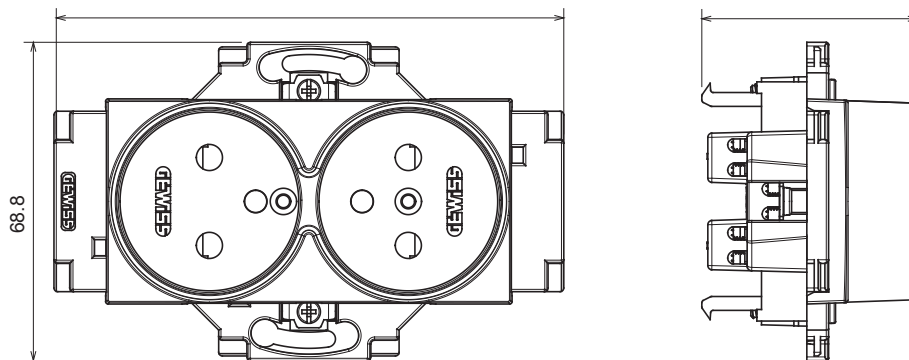


Residential series suitable for installations on round and square boxes, characterised by an elegant appearance and classic shapes. The plates, made of technopolymer in seven colours and with different modularities, from 1 to 5-gang, can be installed in both horizontal and vertical positions. The series, developed around a core of monobloc devices, is available in two colours: white and ivory, both with a glossy finish. Expandable with ChorusSmart modular devices.

Category	Socket-outlet	Standard	French standard
Colour	White	Material	Technopolymer
Finishing	Glossy	Description	2P+E - 16A
Voltage	250 V ac	Type	Double
For plug pins	Ø 4 / 4.8 mm	Characteristics	With safety shields
Type of terminals	With screw	Fixing	With clutches/Screws
Glow wire test	850 °C	Thermo-pressure with ball	125 °C
Resistance at test voltage	2000 V at 50 Hz for 1 minute	Insulation resistance	> 5 MOhm
Prolonged operation socket (no. of position changes)	10.000 at In 250 V ac cosφ=0,8	Terminal grip on cable traction	> 50 N
Terminal tightening capacity	0,5-2x2,5 mm <sup>2</sup> rigid cables - 0,75-2x4 mm <sup>2</sup> flexible cables	Standard	IEC 60884-1

### DIMENSIONAL

357



### TECHNICAL SYMBOLOGY



### STANDARDS/APPROVALS

