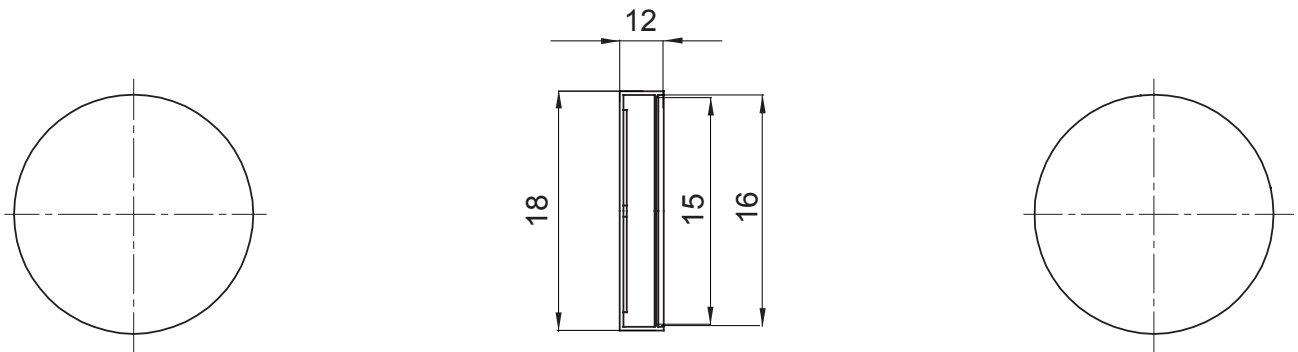




Colour	Grey RAL 7035	Material	PP
Conduits Ø (mm)	16	Electrocod	210

DIMENSIONAL



STANDARDS/APPROVALS

