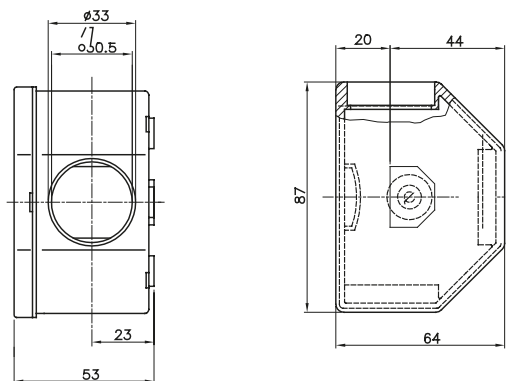




Routing components for rigid protective conduits with IP40 and IP67 protection degree.

Colour	Grey RAL 7035	Outer dim. LxHxD (mm)	87x64x53
IP degree	IP54	Characteristics	-
Description	TX3-3 inputs	Electrocod	21221

DIMENSIONAL



TECHNICAL SYMBOLOGY

IP

IP54

STANDARDS/APPROVALS

