



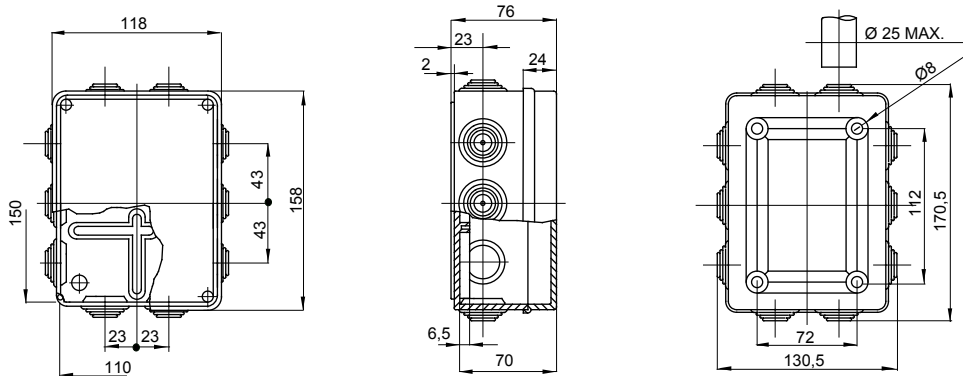
Range 44 CE - Surface-mounting watertight junction boxes in compliance with EN 60670-1 (CEI 23-48) and IEC 60670-22 (CEI 23-94) and made in high-performance technopolymers. The range includes versions with protection degree IP44, IP55, IP56 with smooth walls or with quick entry cable glands and different type of covers: blind / transparent, deep/plain, press-on/screw (in plastic, also 1/4 turn, or in metal). Available in different self-extinguishing materials (up to GWT 960 °C). Suitable for ordinary junctions, for special uses, and for industrial uses.

Insulation class	II (according to IEC 61140 standards)	IP degree	IP55
Material	Technopolymer GWPLAST 75	Mechanical resistance	IK08
Internal dim. LxHxD (mm)	150x110x70	Entries No. holes / Ø	10 / 29
Lid screws (no. and type)	4 insul. a 1/4 turn, sealable	Application	Special uses
Glow Wire Test	960 °C	Box colour	Red RAL 3000
Lid colour	Grey RAL 7035	Lid	Plain screwed
Operating temperature	-25 +60 °C	Electrocod	02210
Thermo-pressure with ball	75 °C	Torque screws tightening	1.2 Newton/meter
Walls	With cable glands	Accessories for insulation restoring	GW44622

#### BEHAVIOUR WITH CHEMICAL AND ATMOSPHERIC AGENTS

Saline solution	Acids		Bases		Solvents				Mineral oil	UV rays
	Concentrated	Diluted	Concentrated	Diluted	Hexane	Benzol	Acetone	Alcohol		
Resistant	Limited resistance	Resistant	Resistant	Resistant	Limited resistance	Not resistant	Not resistant	Limited resistance	Limited resistance	Limited resistance

#### DIMENSIONAL



#### TECHNICAL SYMBOLOGY



II (according to IEC 61140 standards)

**IP**

IP55

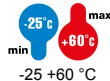
**IK**

IK08

**GWT**

960 °C

INSTALLATION



-25 +60 °C



75 °C

#### STANDARDS/APPROVALS

