



Description Automatic reclosing device

Code ReStart Rd PRO 4P

Suitable for IDP RCCBs - 2P/4P up to 63 A - 100/300/500 mA

Rated voltage AC 230 V

Rated current 25 - 40 - 63 - 80 - 100 A

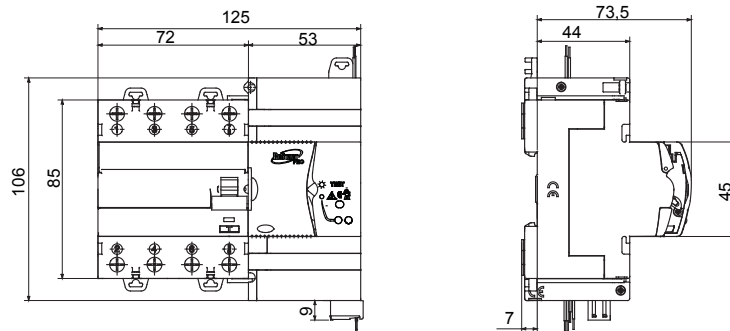
Rated current 0 A

No. modules 3

Standard EN 50557

Rated frequency (Hz)	50Hz	Distribution system	TT - TN-S
Rated non-operating resistance between live parts and earth (Rdo)	2,5 kΩ	Insulation voltage (Ui)	500 V
Rated operating resistance between live parts and earth (Rd)	5 kΩ	Rated impulse withstand voltage (Uimp)	4 kV
Maximum operating frequency	30 oper./h	Overvoltage category	III
Mechanical endurance	4000	Dielectric strength test voltage between pole and earth	2500 Vac for 1 minute
Type of residual current protection	AC - A - A[IR] - A[S] - F - B	Rated residual operating current	100/300/500 mA
Operating temperature	-25 +60 °C	Stocking temperature	-40°C + +70°C
Type of contacts	Photomos (potential free)	Voltage operating	5-230 V ac/dc
Current operating	0.6mA (min)-100mA cosφ=1 (max)	Operating frequency	50 Hz
Use category	AC12	Operating modes	NO/NC/NO with handle position signalling function
Rated tightening torque	0,4 Nm	Terminal section	≤ 2,5 mm ²
Automatic reclosure for untimely tripping	Yes	Earth failure test	Yes
Continuous system monitoring	Yes	Completeable with	GWD0951 Auxiliary contact - GW90992 RS485 BUS Module
Number of poles	2P/4P	Electrocod	1414

DIMENSIONAL



STANDARDS/APPROVALS

