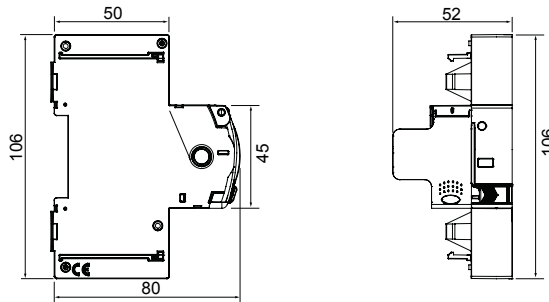




Description Automatic reclosing device
 Code ResStart Rd PRO 2P
 Suitable for IDP RCCBs - 2P up to 80 A - 30 mA
 Rated voltage AC 230 V
 Rated current 25 - 40 - 63 - 80 - 100 A
 Rated current 0 A
 No. modules 1
 Standard EN 50557

Rated frequency (Hz)	50 - 60 Hz	Distribution system	TT - TN-S
Rated non-operating resistance between live parts and earth (Rdo)	8kΩ	Insulation voltage (Ui)	500 V
Rated operating resistance between live parts and earth (Rd)	16 kΩ	Rated impulse withstand voltage (Uimp)	4 kV
Maximum operating frequency	30 oper./h	Overvoltage category	III
Mechanical endurance	4000	Dielectric strength test voltage between pole and earth	2500 Vac for 1 minute
Type of residual current protection	AC - A - A[IR] - F	Rated residual operating current	30 mA
Operating temperature	-5 +60 °C	Stocking temperature	-40°C ÷ +70°C
Automatic reclosure for untimely tripping	Yes	Earth failure test	Yes
Continuous system monitoring	Yes	Completeable with	GWD0951 Auxiliary contact - GW90992 RS485 BUS Module
Number of poles	2P	Electrocod	1414

DIMENSIONAL



STANDARDS/APPROVALS

