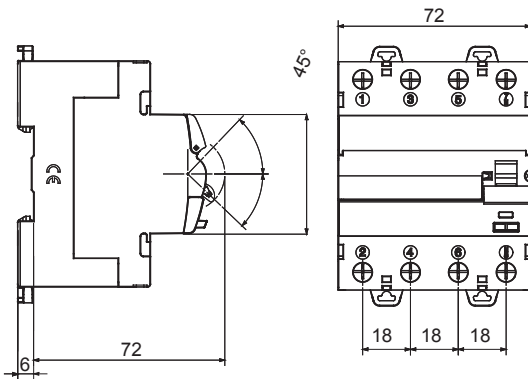




|   |                                  |
|---|----------------------------------|
| Description                               | RESIDUAL CURRENT CIRCUIT BREAKER |
| Code                                      | IDP                              |
| No. of poles                              | 4P                               |
| No. modules                               | 4                                |
| Rated current                             | 40 A                             |
| Rated residual operating current          | 300 mA                           |
| Type                                      | A                                |
| Rated voltage (EN/IEC 61008-1, 61008-2-1) | 400/415 V                        |

|                           |                                   |  |                                   |
|---------------------------|-----------------------------------|--|-----------------------------------|
| Standard                  | IEC/EN 61008-1, IEC/EN 61008-2-1  | Rated frequency (Hz)                   | 50/60 Hz                          |
| Insulation voltage (Ui)   | 500 V                             | Rated impulse withstand voltage (Uimp) | 4 kV                              |
| Overvoltage category      | III                               | Level of immunity (8/20 μs)            | 250 A                             |
| Section rigid cable       | <=1x35 - <=2x16 - <=1x16+2x10 mm² | Section flexible cable                 | <=1x35 - <=2x16 - <=1x16+2x10 mm² |
| Rated tightening torque   | 3 Nm                              | Double connection                      | YES (up stream and down stram)    |
| Operating temperature     | -25 +60°C ( 40°C with derating)   | Stocking temperature                   | -40°C + +70°C                     |
| Electrical endurance      | ≥ 10.000                          | Mechanical endurance                   | ≥ 20000                           |
| Auxiliaries compatibility | Yes                               | ReStart compatibility                  | Yes                               |
| Assembly position         | Any                               |  |                                   |

### DIMENSIONAL



### WIRING DIAGRAM



### STANDARDS/APPROVALS

