



Description Interruttore automatico scatolato  
 Code MSXE 1250  
 No. of poles 3P  
 Rated current 1250 A  
 Release Electronic

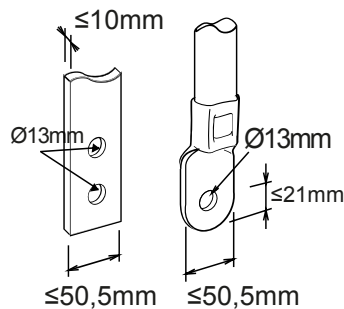
#### ELECTRICAL CHARACTERISTICS

|   |  |                                     |                            |
|---|--|-------------------------------------|----------------------------|
| Standard  | IEC/EN 60947-2                               | Execution                           | Fixed                      |
| Use category                                      | B  | DIN rail mounting                   | No                         |
| Rated frequency (Hz)                              | 50 / 60                                      | Can be equipped with motor operator | Yes                        |
| Rated operating voltage (Ue)                      | 690 Vac                                      | Compatible interlock                | Cable (mechanism supplied) |
| Rated impulse withstand voltage (Uimp)            | 8 kV   | Terminals supplied                  | Front FB Extended          |
| Overtoltage category                              | IV   | Assembly position                   | Any                        |
| Insulation voltage (Ui)                           | 800 V  | Upline/downline power supply        | Yes                        |
| Thermal regulation                                | 0,4 - 0,5 - 0,63 - 0,8 - 0,9 - 0,95 - 1 x In | Electrical life (415Vac)            | 4.000 cycles               |
| Magnetic regulation                               | Electronic LSI                               | Mechanical life                     | 5.000 cycles               |
| Neutral protection                                | -  | Operating temperature               | -5°C +65°C                 |
| Total power loss                                  | 210.93 W                                     | Stocking temperature                | -20° +65°                  |
| Rated short-circuit current making capacity (Icm) | -  | Weight (kg)                         | 19.8                       |
| Rated short-time withstand current for 0,3s (Icw) | 15 kA  | Width                               | 210 mm                     |
| I <sub>dn</sub> regulation                        | -  | Height                              | 370 mm                     |
| DT regulation                                     | -  | Depth                               | 120 mm                     |

#### SERVICE BREAKING CAPACITY (ICU)

|            |       |            |       |
|------------|-------|------------|-------|
| 220/240Vac | 85 kA | 220/240Vac | 65 kA |
| 400/415Vac | 50 kA | 400/415Vac | 38 kA |
| 440Vac     | 45 kA | 440Vac     | 34 kA |
| 525Vac     | 30 kA | 525Vac     | 23 kA |
| 690Vac     | 20 kA | 690Vac     | 15 kA |
| 250Vdc     | -     | 250Vdc     | -     |

### DIMENSIONAL





Product Data Sheet

GWD9411B

MSX

STANDARDS/APPROVALS

