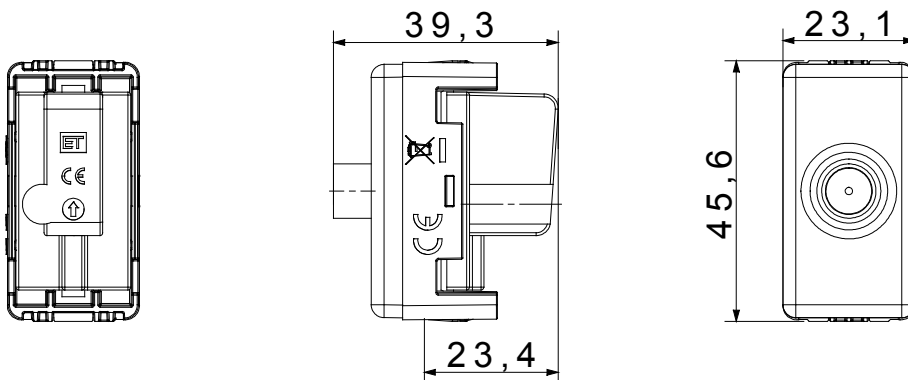




The System modular devices make it possible to create infinite combination between devices and plates, thanks to a complete range that is able to satisfy all design, functional and installation requirements. Colour and finiture: glossy white, bright and versatile
The range includes commands, socket- outlets, protection, indicators, connectors and devices for the control, safety and comfort of your home.

| | | | |
|--------------|--------------------------|--------------------|-----------------------------------|
| Category | TV/SAT socket-outlet | Description | Direct |
| Type | With passage of current | Colour | White |
| Attenuation | 0 dB | Frequency | 5-2400 MHz |
| Shielding | Class A | For connector type | F-Female |
| Standard | EN 60728-4; IEC 61169-24 | No. SYSTEM modules | 1 |
| Cable fixing | With screw | Case | Pressure casting zamak metal body |
| Material | Technopolymer | Electrocod | 0131 |

DIMENSIONAL



STANDARDS/APPROVALS

