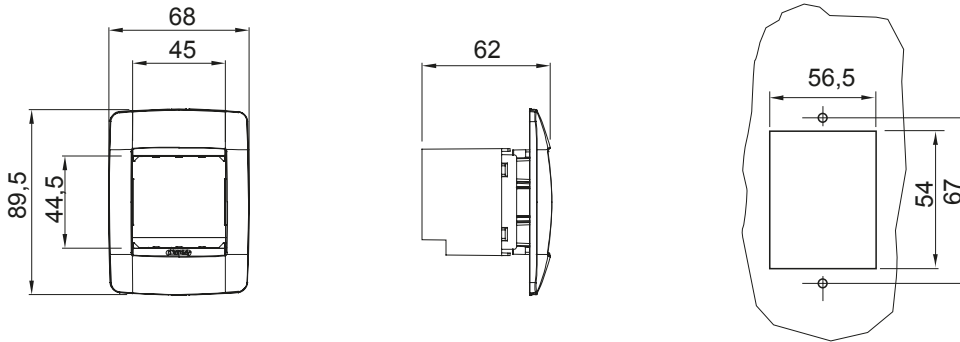




Range of ChoruSmart domestic series plates, made in a wide variety of shapes, colours, materials and finishes. It includes five different shapes (ONE, GEO, EGO, LUX, ICE and ICE Touch) for rectangular boxes with a capacity of up to 12 modules and three different shapes (ONE International, GEO International and LUX International) suitable for round/square boxes, both single and combined in horizontal or vertical configurations, with a capacity of 2 up to 2+2+2+2 modules. All ChoruSmart domestic series plates use the same supports, without the need for additional adapters. The range also includes blank plates, watertight IP55 plates and contour plates.

| | | | |
|----------------|------------|---------------------------|-----------------|
| Description | 2 modules | Colour Plate | Glossy Titanium |
| Finishing | Glossy | Characteristics | Halogen free |
| Glow wire test | 650 °C | Thermo-pressure with ball | 70 °C |
| Standard | EN 60670-1 | Electrocod | 0110 |

DIMENSIONAL



TECHNICAL SYMBOLOGY



GWT

650 °C



70 °C

STANDARDS/APPROVALS

