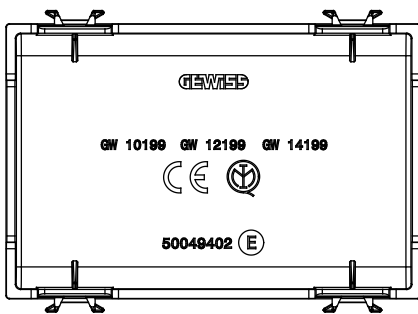
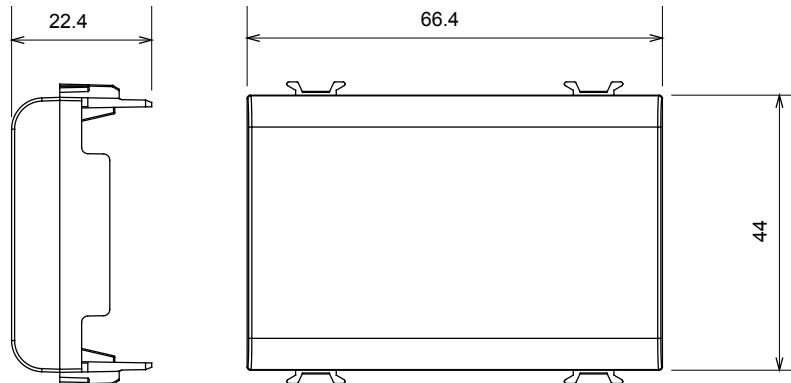


Wide range of control devices, sockets for power supply (conforming to national and international standards) signal pick-up, climate control, comfort management, technical alarm signalling and emergency lighting management. The ChoruSmart modular devices are available in five colours, glossy white, satin white, natural beige, satin black and lacquered titanium and in various sizes from 1/2, 1, 2 and 3 modules. Thanks to the mounting supports for rectangular, square and round boxes, endless combinations can be created with the ChoruSmart range of plates.

Category	Blanking module	Colour	Glossy white
Description	3 modules	Standard	EN 60669-1
Thermo-pressure with ball	125 °C	Glow Wire Test	850 °C
No. modules	3	Material	Technopolymer
Electrocod	0100		



DIMENSIONAL



TECHNICAL SYMBOLOGY



STANDARDS/APPROVALS

