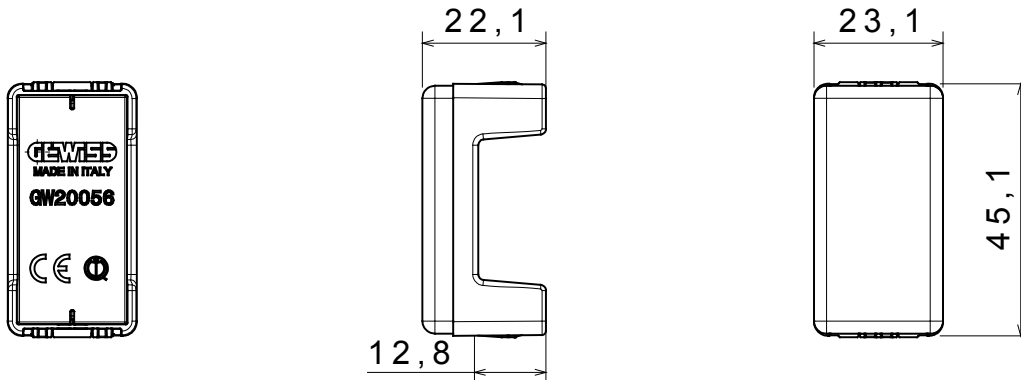




The System modular devices allow the creation of infinite combinations of devices and plates, through a complete range that covers all design, functional and installation needs. Colours and finishes: satin black, elegant and classy. The range includes control units, socket-outlets, breakers, indicators, connectors and devices for the control, safety and comfort of your home.

Category	Blanking module	Colour	Black
Description	1 module	Standard	EN 60669-1
Thermo-pressure with ball	125 °C	Glow Wire Test	850 °C
No. SYSTEM modules	1	Material	Technopolymer
Electrocod	0100		

### DIMENSIONAL



### TECHNICAL SYMBOLOGY



### STANDARDS/APPROVALS

