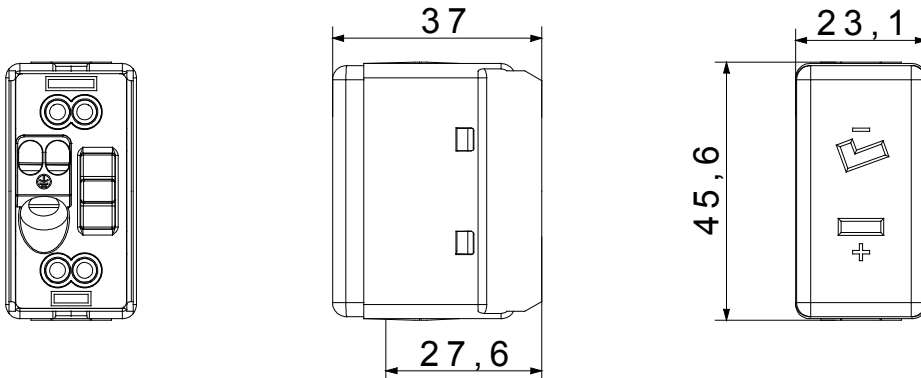




The System modular devices allow the creation of infinite combinations of devices and plates, through a complete range that covers all design, functional and installation needs. Colours and finishes: satin black, elegant and classy. The range includes control units, socket-outlets, breakers, indicators, connectors and devices for the control, safety and comfort of your home.

Category	-	Description	2P - 6A - 24V polarized
For plug pins	Flat	Centre distance	12.4 mm
Thermo-pressure with ball	125 °C	Glow Wire Test	0 °C
Terminal tightening capacity stranded cables (mm <sup>2</sup> )	min. 0,75 - max. 2x4	Terminal tightening capacity solid cables (mm <sup>2</sup> )	min. 0,5 - max. 2x2,5
Colour	Black	No. SYSTEM modules	1
Cable fixing	With screw	Case	Pressure casting zamak metal body
Material	Technopolymer	Electrocod	0131

### DIMENSIONAL



### TECHNICAL SYMBOLOGY



### STANDARDS/APPROVALS

