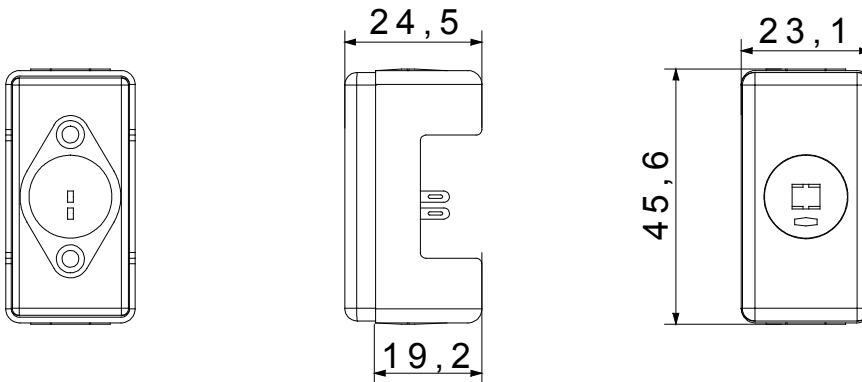




The System modular devices allow the creation of infinite combinations of devices and plates, through a complete range that covers all design, functional and installation needs. Colours and finishes: satin black, elegant and classy. The range includes control units, socket-outlets, breakers, indicators, connectors and devices for the control, safety and comfort of your home.

Category	- Description	For loudspeaker
For plug pins	- Centre distance	0 mm
Thermo-pressure with ball	- Glow Wire Test	0 °C
Terminal tightening capacity stranded cables (mm <sup>2</sup> )	- Terminal tightening capacity solid cables (mm <sup>2</sup> )	-
Colour	Black	No. SYSTEM modules 1
Cable fixing	With screw	Case Pressure casting zamak metal body
Material	Technopolymer	Electrocod 0131

### DIMENSIONAL



### TECHNICAL SYMBOLOGY



### STANDARDS/APPROVALS

