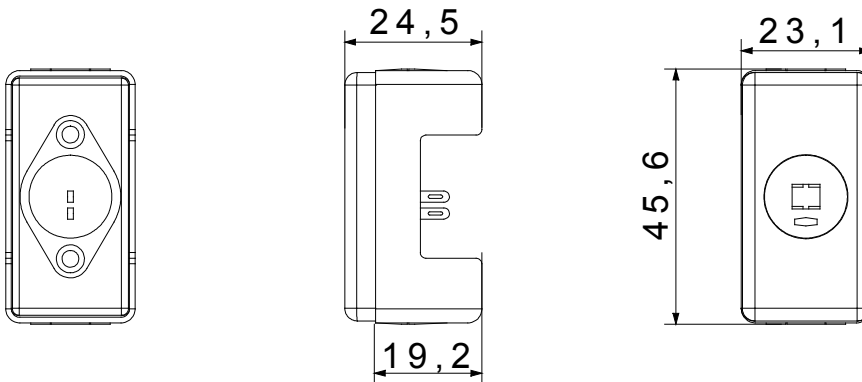




The System modular devices make it possible to create infinite combination between devices and plates, thanks to a complete range that is able to satisfy all design, functional and installation requirements. Colour and finiture: glossy white, bright and versatile
The range includes commands, socket- outlets, protection, indicators, connectors and devices for the control, safety and comfort of your home.

Category	- Description	For loudspeaker
For plug pins	- Centre distance	0 mm
Thermo-pressure with ball	- Glow Wire Test	0 °C
Terminal tightening capacity stranded cables (mm ²)	- Terminal tightening capacity solid cables (mm ²)	-
Colour	White	No. SYSTEM modules
Cable fixing	Weld-in	Material
Electrocod	3720	
		1
		Technopolymer

DIMENSIONAL



TECHNICAL SYMBOLOGY



STANDARDS/APPROVALS

