

Technical data

QDX 1600H	
Electrical characteristics	Mechanical characteristics
Standards: EN 61439-1 and EN 61439-2, EN 62208	Degree of protection: IP 30 without door
Rated current (In): up to 1600 A	IP 55 with glass/solid door
Rated operational voltage (Ue): up to 400 V ac	Impact resistance: IK 09 for glass door
Rated insulation voltage (Ui): up to 690 V ac	IK 10 for solid door
Rated impulse withstand voltage (Uimp): 6-8-12 kV 1.2/50 µs	Operating temperature: -5 °C ÷ 40 °C
Rated short-time withstand current for 1s (Icw): 70 kA (with aluminum busbars), 85 kA (with copper busbars)	Storage temperature: -25 °C ÷ 55 °C
Protection against indirect contacts: metal casing prearranged for earth connection	Sheet steel casing: 20/10 mm thick
	Galvanized metal sheet accessories: 15/10-20/10-25/10 mm thick
	Sheet metal painted with textured colour Grey RAL 7035 epoxy-polyester powder after phosphating

FUNCTIONAL CHARACTERISTICS	
Type of installation: indoors	Plinth (height 100 mm) palletizable by removing the front and rear panels
Capacity: 24/35 EN 50022 modules per row	Structures can be mounted side by side using the provided kit
Bottom cable entry through metal cable gland plates with sealed gasket	Structure can be wall-mounted using 2 brackets
Internal functional uprights with 25mm pitch drilled for the assembly of the equipment installation kits	Earthing by contact of metal parts
Segregation: form 1 and form 2a	Door assembly with reversible opening (right or left side)
	Board accessibility: front, side and rear

Dimension tables

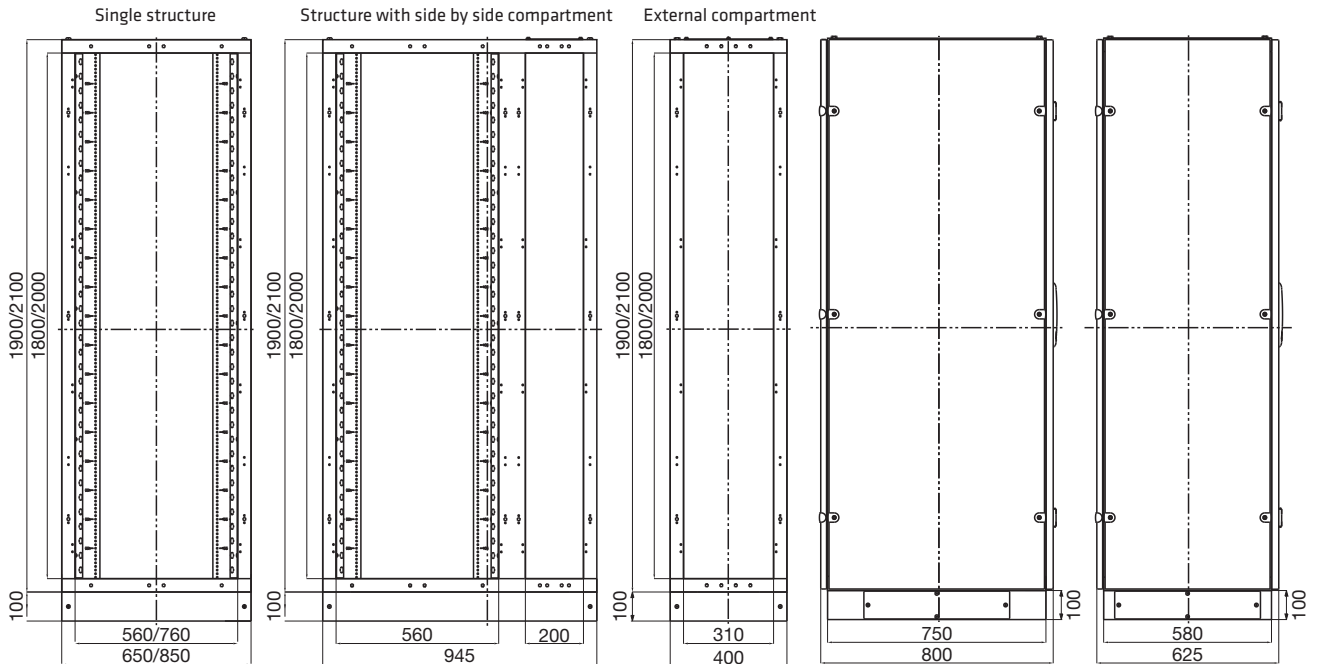
STRUCTURE OF BOARD

Size calculation of side by side n-structures (columns)

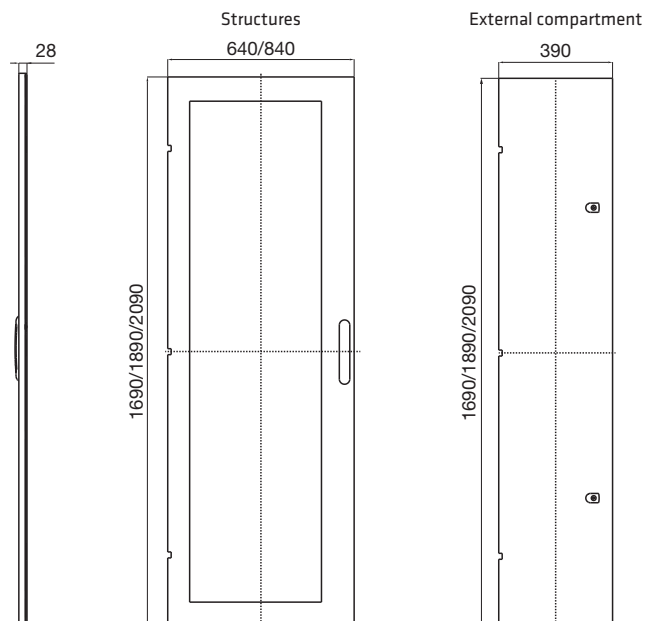
Width (mm) = (B1+B2+...+Bn)+50

Bn = Width column width (mm)

50 = size of 2 side panels

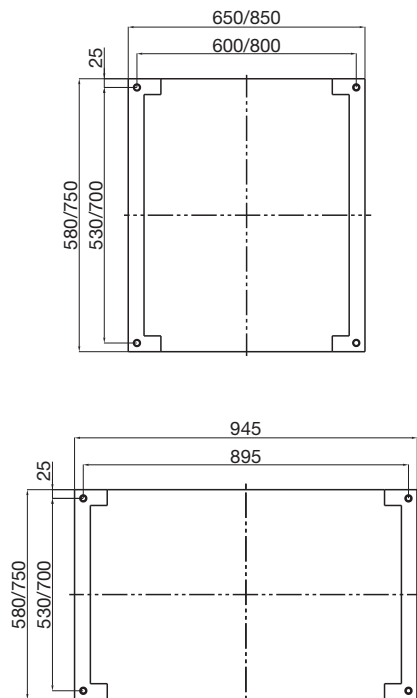


DOORS

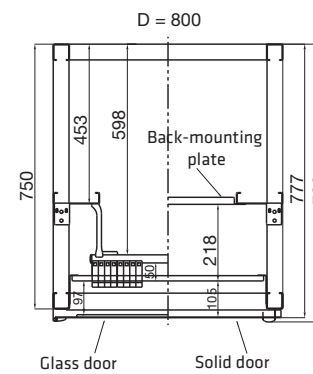
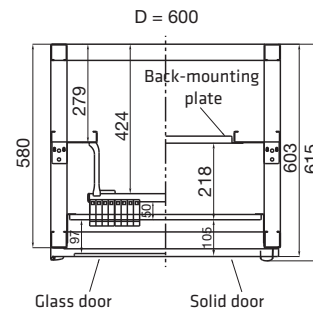


Per informazioni tecniche contattate il SAT o visitate il sito [gewiss.com](http://www.gewiss.com)

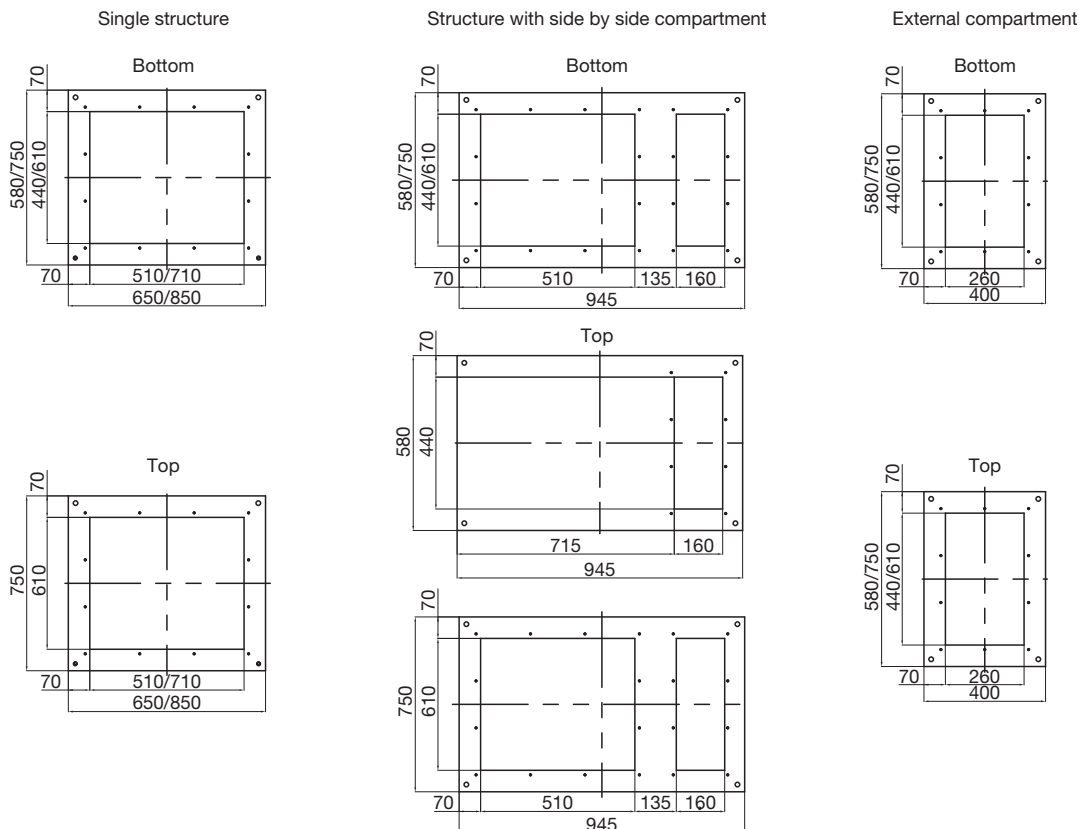
BOARD INSTALLATION



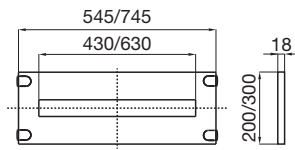
STRUCTURE SECTION



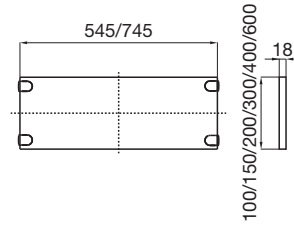
CABLE ENTRY



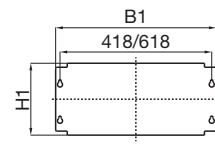
WINDOWED PANELS



SOLID PANELS



BACK-MOUNTING PLATE



Functional dimensions		Real dimensions	
B (mm)	H (mm)	B1 (mm)	H1 (mm)
600	200	442	198
600	400	442	398
600	600	442	598
600	800	442	798
600	1000	442	998
850	200	642	198
850	400	642	398
850	600	642	598
850	800	642	798
850	1000	642	998