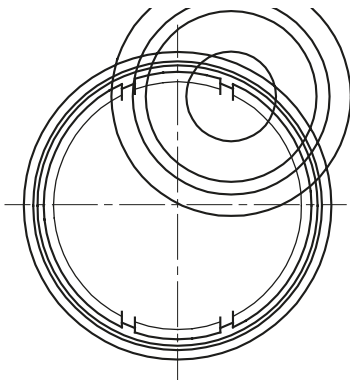


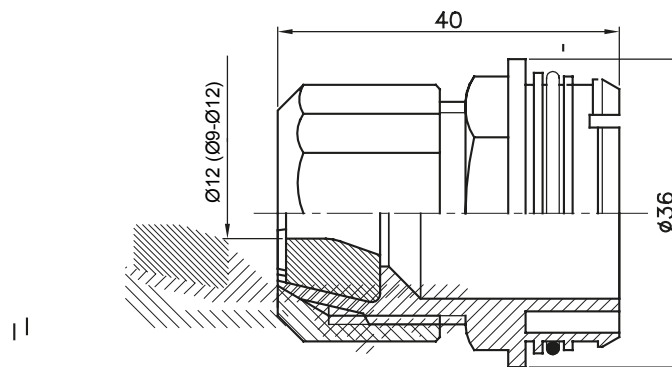


Routing components for rigid protective conduits with IP40 and IP67 protection degree.

Colour	Grey RAL 7035	Characteristics	-
For cables Ø (mm)	9-12	Electrocod	21221



#### DIMENSIONAL



#### STANDARDS/APPROVALS

