



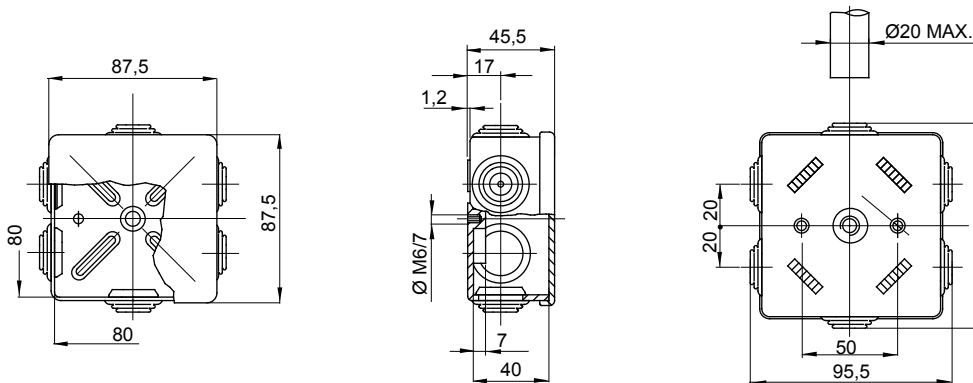
Range 44 CE - Surface-mounting watertight junction boxes in compliance with EN 60670-1 (CEI 23-48) and IEC 60670-22 (CEI 23-94) and made in high-performance technopolymers. The range includes versions with protection degree IP44, IP55, IP56 with smooth walls or with quick entry cable glands and different type of covers: blind / transparent, deep/plain, press-on/screw (in plastic, also 1/4 turn, or in metal). Available in different self-extinguishing materials (up to GWT 960 °C). Suitable for ordinary junctions, for special uses, and for industrial uses.

|                       |                                       |                                      |  |
|-----------------------|---------------------------------------|--------------------------------------|--|
| Insulation class      | II (according to IEC 61140 standards) | Colour                               | Grey RAL 7035                              |
| IP degree             | IP44                                  | Material                             | Technopolymer GWPLAST 75                   |
| Mechanical resistance | IK07                                  | Internal dim. LxHxD (mm)             | 80x80x40                                   |
| Entries No. holes / Ø | 6 / 23                                | Application                          | Ordinary junctions                         |
| Glow Wire Test        | 650 °C                                | Lid                                  | Plain press-on                             |
| Operating temperature | -25 +60 °C                            | Type of material                     | Halogen-free in compliance with EN 60754-2 |
| Electrocod            | 02210                                 | Thermo-pressure with ball            | 85 °C                                      |
| Walls                 | With cable glands                     | Accessories for insulation restoring | GW44622                                    |

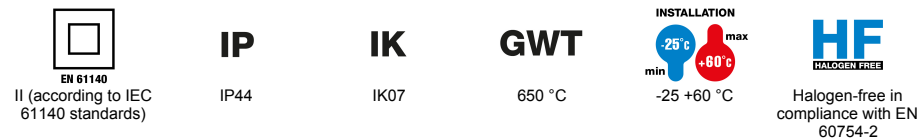
#### BEHAVIOUR WITH CHEMICAL AND ATMOSPHERIC AGENTS

| Saline solution | Acids              |           | Bases        |           | Solvents           |               |               |                    | Mineral oil        | UV rays            |
|-----------------|--------------------|-----------|--------------|-----------|--------------------|---------------|---------------|--------------------|--------------------|--------------------|
|                 | Concentrated       | Diluted   | Concentrated | Diluted   | Hexane             | Benzol        | Acetone       | Alcohol            |                    |                    |
| Resistant       | Limited resistance | Resistant | Resistant    | Resistant | Limited resistance | Not resistant | Not resistant | Limited resistance | Limited resistance | Limited resistance |

#### DIMENSIONAL



#### TECHNICAL SYMBOLOGY



#### STANDARDS/APPROVALS

