

Deutsche
Qualität
Garantiert



HUNDER

POWERFUL, EFFICIENT, STEADY

30
years
Performance
Guarantee

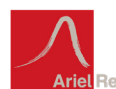
15
years
Product
Warranty

MONO-CRYSTALLINE PV MODULES
SHINGLED TECHNOLOGY • MONO-FACIAL

405W-415W AE BMC-60F Series

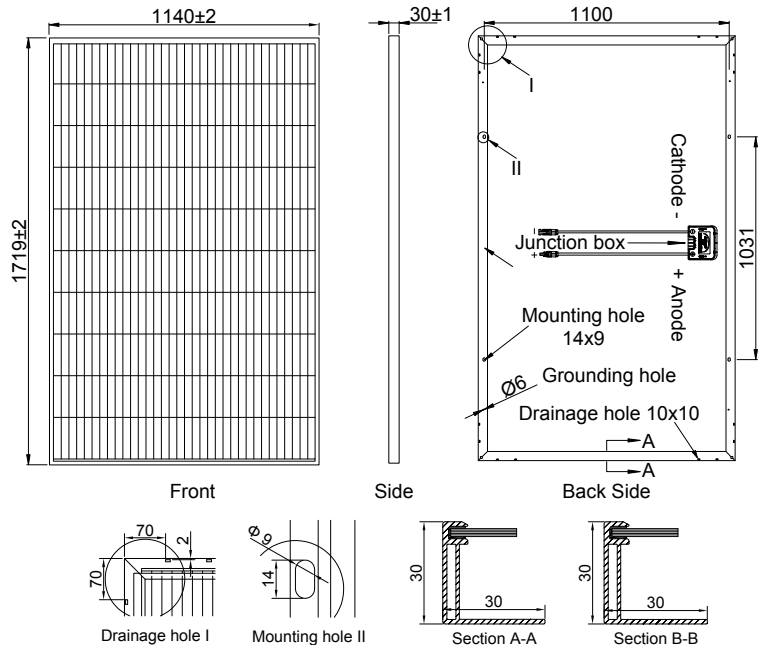


IEC 61215
IEC 61730
Regular Production Surveillance
Type Tested and Monitored



Mechanical and design specification

Cell type	Mono c-Si PERC, Shingled cells, 166 mm
No. of cells	340
Glass	3,2 mm, high transmission, AR coated, tempered
Encapsulation	EVA
Back cover	White Backsheet
Junction box	IP 68 rated
Frame	30 mm anodized Aluminium alloy, full black
Cable	1 x 4 mm ² , 1200 mm length or customized
Connectors	MC 4 / MC 4 compatible
Dimension	1719 mm x 1140 mm x 30 mm
Weight	21 kg
Hail resistance	Max. Ø 25 mm at 23 m/s
Wind load	2400 Pa/ 244 kg/ m ²
Mechanical load	5400 Pa/ 550 kg/ m ²

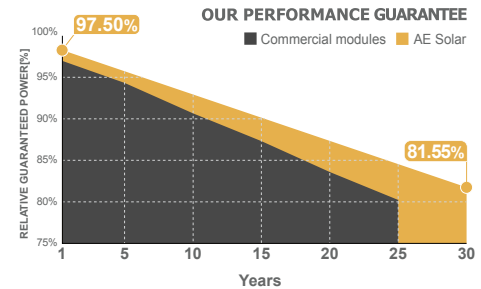
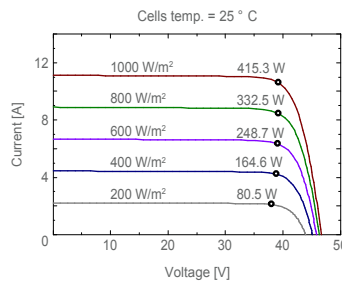


Packaging information

Packaging configuration	72 pcs / palett
Loading capacity	936 pcs / 40 HQ
Size / Pallet	1750 mm x 1140 mm x 2490 mm
Weight	1612 kg / double pallets

Temperature ratings

Operating temperature (°C)	-40 to +85
Temp.coefficient of P _{max} (%/°C)	-0.34
Temp.coefficient of V _{oc} (%/°C)	-0.27
Temp.coefficient of I _{sc} (%/°C)	0.040
Nom. operating temp. NOCT (°C)	42.3 ± 2



Electrical specifications (STC*):	AE405BMC-60F	AE410BMC-60F	AE415BMC-60F
Nominal Max. Power	P _{max} (Wp) 405	410	415
Maximum operating voltage	V _{MPP} (V) 38.70	38.80	38.90
Maximum operating current	I _{MPP} (A) 10.47	10.57	10.67
Open-circuit voltage	V _{oc} (V) 46.50	46.60	46.70
Short-circuit current	I _{sc} (A) 11.02	11.07	11.12
Module efficiency	η (%) 20.67	20.92	21.18
Power tolerance	(W) 0~+5		
Maximum system Voltage	(V) 1500		
Maximum series fuse rating	(A) 20		

*STC: Standard test conditions (Irradiance 1000 W/m², Cell temperature 25°C and air mass of AM1.5)

Electrical specifications (NMOT*):	AE405BMC-60F	AE410BMC-60F	AE415BMC-60F
Nominal Max. Power	P _{max} (Wp) 305	309	312
Maximum operating voltage	V _{MPP} (V) 36.90	37.00	37.10
Maximum operating current	I _{MPP} (A) 8.27	8.35	8.43
Open-circuit voltage	V _{oc} (V) 44.30	44.40	44.50
Short-circuit current	I _{sc} (A) 8.89	8.93	8.97

*NMOT: Normal Module Operating Temperature (Irradiance 800 W/m², Ambient temperature 20°C, air mass of AM1.5 and wind speed of 1 m/s)

The specifications and characteristics contained in this datasheet may deviate slightly from our actual products due to the product developments and uncertainty of measurement devices. The specifications included in the datasheet are subject to change without prior notice.