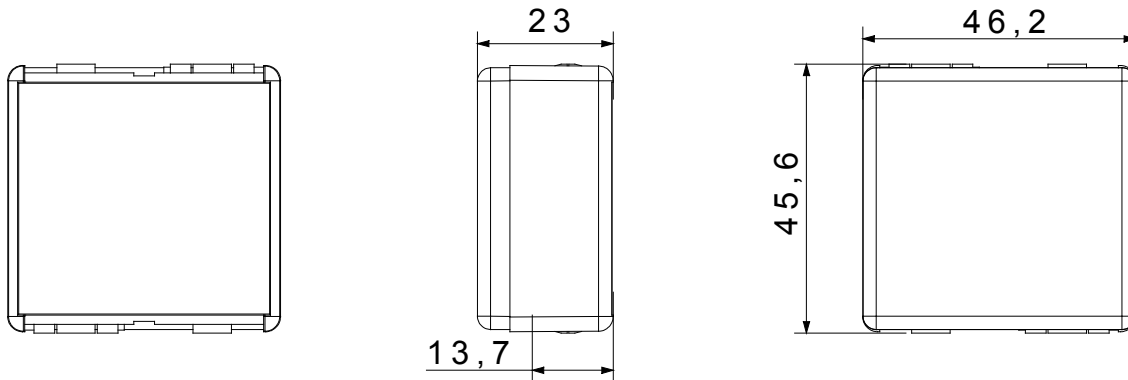




The System modular devices allow the creation of infinite combinations of devices and plates, through a complete range that covers all design, functional and installation needs. Colours and finishes: satin black, elegant and classy. The range includes control units, socket-outlets, breakers, indicators, connectors and devices for the control, safety and comfort of your home.

| | | | |
|------------------------|-----------------|---------------------------------------|--------------|
| Categorie | Modul de golire | Culoare | Negru |
| Descriere | 2 module | Standard | EN 60669-1 |
| Termo-presiune cu bilă | 125 °C | Test de încercare cu fir incandescent | 850 °C |
| Nr. Module DE SISTEM | 2 | Material | Tehnopolimer |
| Electrocod | 0100 | | |

DIMENSIONAL



TECHNICAL SYMBOLOGY



STANDARDS/APPROVALS

