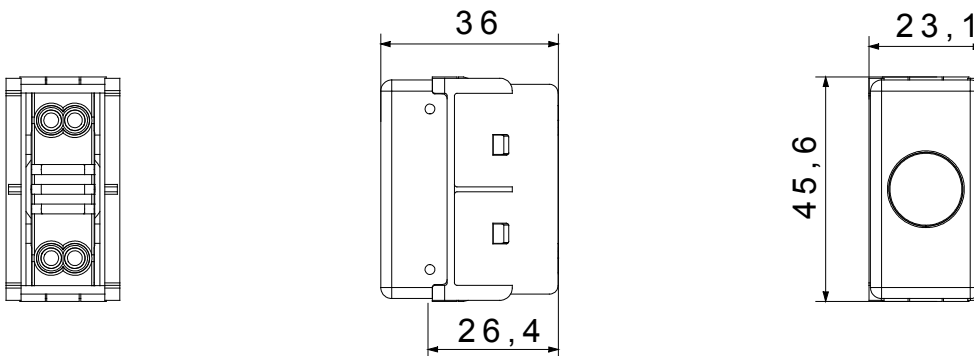




The System modular devices allow the creation of an infinite combination of devices and plates, thanks to a complete range that covers all design, functional and installation needs. Colours and finishes: bright and versatile glossy white, and elegant and classy satin black. Ideal for flush-mounted solutions (for rectangular or square boxes), surface-mounted solutions and special applications. The range includes control units, socket-outlets, breakers, indicators, connectors and devices for the control, safety and comfort of the home. The material is supplied without lamp. Compatible lamp: Cartridge lamp S6x31mm and S6.3x28mm (max 2W)

Tipul difuzorului	Plat	Culoarea difuzorului	Galben
Semnificația difuzorului	Atenție	Fixare pentru lampă	Cartuș
Standard	EN 62094-1	Culoare	Negru
Nr. Module DE SISTEM	1	Material	Tehnopolimer
Electrocod	0132		

DIMENSIONAL



STANDARDS/APPROVALS

