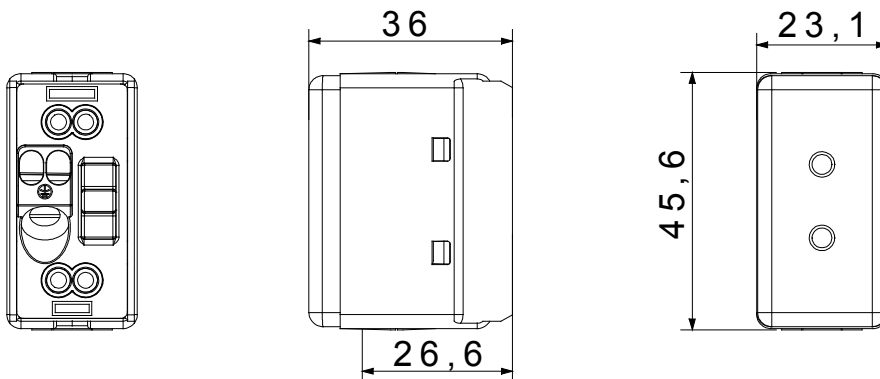




The System modular devices allow the creation of infinite combinations of devices and plates, through a complete range that covers all design, functional and installation needs. Colours and finishes: satin black, elegant and classy. The range includes control units, socket-outlets, breakers, indicators, connectors and devices for the control, safety and comfort of your home.

Categorie	- Descriere		2P - 6A - 24V
Pentru știfturi de conectare	3 mm	DISTANȚĂ CENTRU 57	12.4 mm
Termo-presiune cu bilă	125 °C	Test de încercare cu fir incandescent	850 °C
Capacitate de strângere borne cabluri torsadate (mm <sup>2</sup> )	min. 0,75 - max. 2x4	Capacitate de strângere a bornelor cabluri solide (mm <sup>2</sup> )	min. 0,5 - max. 2x2,5
Culoare	Negru	Nr. Module DE SISTEM	1
Fixare cablu	Conținut	Carcasă	Turnare sub presiune corp metalic zamak
Electrocod	0131		

### DIMENSIONAL



### TECHNICAL SYMBOLOGY



### STANDARDS/APPROVALS

