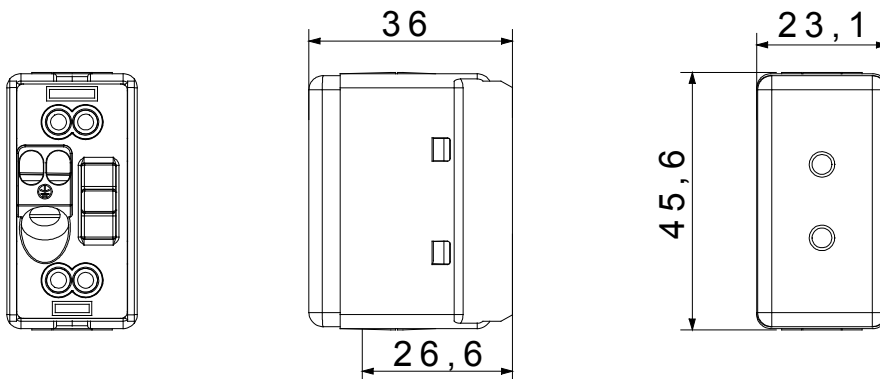




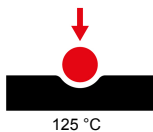
The System modular devices make it possible to create infinite combination between devices and plates, thanks to a complete range that is able to satisfy all design, functional and installation requirements. Colour and finiture: glossy white, bright and versatile
The range includes commands, socket- outlets, protection, indicators, connectors and devices for the control, safety and comfort of your home.

Categorie	- Descriere		2P - 6A - 24V
Pentru știfturi de conectare	3 mm	DISTANȚĂ CENTRU 57	12.4 mm
Termo-presiune cu bilă	125 °C	Capacitate de strângere borne cabluri torsadate (mm ²)	min. 0,75 - max. 2x4
Capacitate de strângere a bornelor cabluri solide (mm ²)	min. 0,5 - max. 2x2,5	Culoare	Alb
Nr. Module DE SISTEM	1	Fixare cablu	Conținut
Material	Tehnopolimer	Electrocod	0131

DIMENSIONAL



TECHNICAL SYMBOLOGY



STANDARDS/APPROVALS

