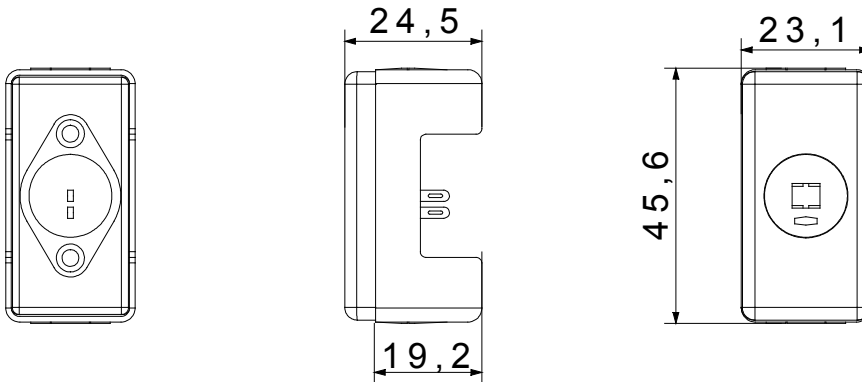




The System modular devices make it possible to create infinite combination between devices and plates, thanks to a complete range that is able to satisfy all design, functional and installation requirements. Colour and finiture: glossy white, bright and versatile
The range includes commands, socket- outlets, protection, indicators, connectors and devices for the control, safety and comfort of your home.

Categorie	-	Descriere	Pentru difuzor
Pentru știfturi de conectare	-	DISTANȚĂ CENTRU 57	0 mm
Termo-presiune cu bilă	-	Test de încercare cu fir incandescent	0 °C
Capacitate de strângere borne cabluri torsadate (mm²)	-	Capacitate de strângere a bornelor cabluri solide (mm²)	-
Culoare	Alb	Nr. Module DE SISTEM	1
Fixare cablu	Sudură	Material	Tehnopolimer
Electrocod	3720		

DIMENSIONAL



TECHNICAL SYMBOLOGY



STANDARDS/APPROVALS

