

48 PT / PT DIN - CONNECTION AND JUNCTION BOXES ALSO FOR DOMOTICS - IP40

TECHNICAL CHARACTERISTICS

Standard: IEC EN 60670-1 (CEI 23-48); IEC EN 60670-22 (CEI 23-94);
IEC EN 60670-24 (CEI 23-49) (*)
Degree of protection: IP40
Installation temperature: max +60°C; min. -15°C
Material: GW PLAST technopolymer, halogen-free in accordance with
EN 60754-2 (CEI EN 50267-2-2)

Impact resistance: IK 07 (standard and deep covers)
IK 10 (impact resistant cover)
Heat resistance: thermo-pressure with ball 70°C
Resistance to abnormal heat and fire: Glow wire test 650°C
Applications: for brickwork walls

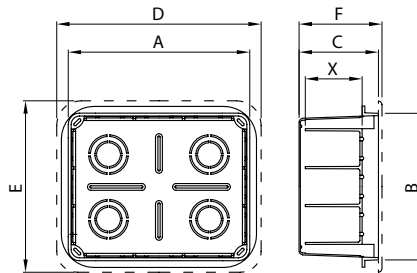
(*) Enclosure type: GP (CEI 23-51) and PD

BEHAVIOUR WITH CHEMICAL AND ATMOSPHERIC AGENTS

Agent	Saline solution	Acids		Bases		Solvents				Mineral oil	UV rays
		Concentrated	Diluted	Concentrated	Diluted	Hexane	Benzol	Acetone	Ethyl alcohol		
48 PT / PT DIN standard cover	Resistant	Not resistant	Not resistant	Limited resistance	Limited resistance	Not resistant	Not resistant	Not resistant	Limited resistance	Limited resistance	Limited resistance
Shockproof cover for 48 PT / PT DIN	Resistant	Not resistant	Limited resistance	Not resistant	Limited resistance	Resistant	Not resistant	Not resistant	Limited resistance	Limited resistance	Limited resistance

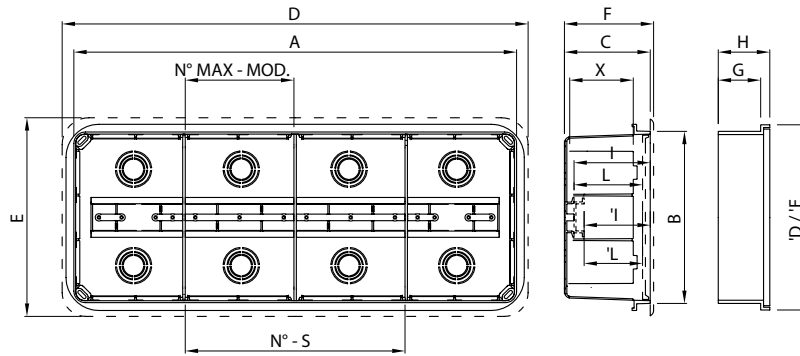
Dimension tables

JUNCTION BOXES (GW48001-GW48005)



Code	Modular boxes										Cover			Deep lid				max Ø of conduit per sector	max Ø of conduit in the back-mounting plate	Maximum dispersible power
	A	B	C	X	N° - S	No. modules N° - M	I	L	'I	'L	D	E	F	'D	'E	G	H			
GW 48 001	92	92	45	30	-	-	-	-	-	-	112	112	48.5	-	-	-	-	Ø32	Ø25	-
GW 48 002	118	96	50	36	-	-	-	-	-	-	138	116	53.5	-	-	-	-	Ø32	Ø25	-
GW 48 003	118	96	70	50	-	-	-	-	-	-	138	116	73.5	-	-	-	-	Ø32	Ø25	-
GW 48 004	152	98	70	50	-	-	-	-	-	-	172	118	73.5	170	116	49	56	Ø40	Ø32	-
GW 48 005	160	130	70	50	-	-	-	-	-	-	186	156	74	178	148	49	56	Ø40	Ø32	-
GW 48 085																				

FLUSH MOUNTING ENCLOSURES WITH INTEGRATED DIN RAIL



Code	Modular boxes						Cover				Deep lid				max Ø of conduit per sector	max Ø of conduit in the back-mounting plate	Maximum dispersible power			
	A	B	C	X	N° - S	No. modules N° - M	I	L	'I	'L	D	E	F	'D				'E	G	H
GW 48 006 GW 48 086	196	152	75	57	2	4.5	69	61	62	53.5	222	178	79	214	170	49	56	Ø50	Ø32	11W
GW 48 007 GW 48 087	294	152	75	57	3	5	69	61	62	53.5	320	178	79	312	170	66	73	Ø50	Ø32	13W
GW 48 008 GW 48 088	392	152	75	57	4	5	70	63	63	55.5	418	178	80	410	170	66	73	Ø50	Ø32	17W
GW 48 009	480	160	75	57	3	8	70	61	63	53.5	506	186	80.5	-	-	-	-	Ø50	Ø50	25W
GW 48 010	516	202	90	69	3	9	85.5	78	78	70.5	543	229	96	-	-	-	-	Ø63	Ø50	29W
GW 48 011	516	294	90	69	6	4	85.5	77	78	70	543	320	96	-	-	-	-	Ø63	Ø50	30W

48 CM - HIGH CAPACITY CONNECTION AND JUNCTION BOXES - IP40

TECHNICAL CHARACTERISTICS

Standard: IEC EN 60670-1 (CEI 23-48); IEC EN 60670-22 (CEI 23-94);
IEC EN 60670-24 (CEI 23-49) (*)

Degree of protection: IP40; (IP44 spare covers)

Installation temperature: max. +60°C; min. -15°C

Material: GW PLAST technopolymer, halogen-free in accordance with
EN 60754-2 (CEI EN 50267-2-2)

Impact resistance: IK 07 (IP40 box)
IK 10 (IP44 cover)

Heat resistance: thermo-pressure with ball 70°C

Resistance to abnormal heat and fire: Glow wire test 650°C

Applications: for brickwork walls

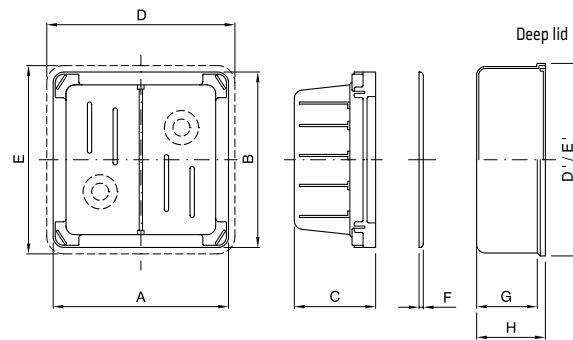
(*) Enclosure type: GP (CEI 23-51) and PD

BEHAVIOUR WITH CHEMICAL AND ATMOSPHERIC AGENTS

Saline solution	Acids		Bases		Solvents				Mineral oil	UV rays
	Concentrated	Diluted	Concentrated	Diluted	Hexane	Benzol	Acetone	Ethyl alcohol		
Resistant	Not resistant	Not resistant	Limited resistance	Limited resistance	Not resistant	Not resistant	Not resistant	Limited resistance	Limited resistance	Limited resistance

Dimension tables

CASSETTE DI DERIVAZIONE ALTA CAPIENZA



	Box			Plain lid			Deep lid			
	A	B	C	D	E	F	D'	E'	G	H
GW 48 207 (2 compartments)	260	260	121.5	280	280	7	286	286	67	74
GW 48 211 (5 compartments)	520	260	121.5	540	280	7	547	286	67	74

48 PTC - MODULAR JUNCTION, COMMAND AND DISTRIBUTION BOXES - IP40/IP55

TECHNICAL CHARACTERISTICS

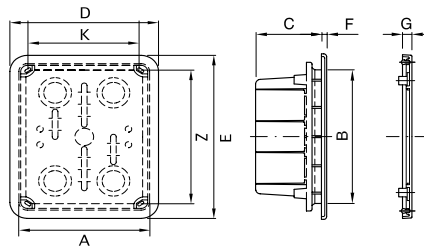
Standard: IEC 60670-1; IEC 60670-22; 23-48; EN 60670-1; EN 60670-22; EN 60670-1; EN 60670-22	Impact resistance: IK 07 (box) IK 08 (watertight control unit and modular board)
Degree of protection: IP40; IP55	Heat resistance: thermo-pressure with ball 70°C
Installation temperature: max. +60°C; min. -15°C	Resistance to abnormal heat and fire: Glow wire test 650°C
Material: GW PLAST technopolymer, halogen-free in accordance with EN 60754-2 (CEI EN 50267-2-2)	

BEHAVIOUR WITH CHEMICAL AND ATMOSPHERIC AGENTS

Saline solution	Acids		Bases		Solvents				Mineral oil	UV rays
	Concentrated	Diluted	Concentrated	Diluted	Hexane	Benzol	Acetone	Ethyl alcohol		
Resistant	Not resistant	Limited resistance	Not resistant	Limited resistance	Resistant	Not resistant	Not resistant	Limited resistance	Limited resistance	Limited resistance

Dimension tables

FLUSH-MOUNTING MODULAR SYSTEM



Code	Box			Covers					
	A	B	C	D	E	F	G	Z	K
CW 48 661 CW 48 671 CW 48 681 CW 48 691	138	169	70					154	120
CW 48 662 CW 48 672 CW 48 682 CW 48 686	308	169	70					154	145
CW 48 663 CW 48 673	398	169	70					154	125
GW 48 611				175	210	5.5		154	120
GW 48 612				345	210	5.5		154	145
GW 48 613				435	210	5.5		154	125
GW 48 621				175	210	-	9	154	120
GW 48 622				345	210	-	9	154	145
GW 48 623				435	210	-	9	154	125
GW 48 651				175	210	-	9	154	120