

SG3400/3125/2500HV-20

Turnkey Station for 1500 Vdc System



HIGH YIELD

- Advanced three-level technology, max. inverter efficiency 99 %

EASY O&M

- Integrated current and voltage monitoring function for online analysis and fast trouble shooting
- Modular design, easy for maintenance
- Convenient external touch screen

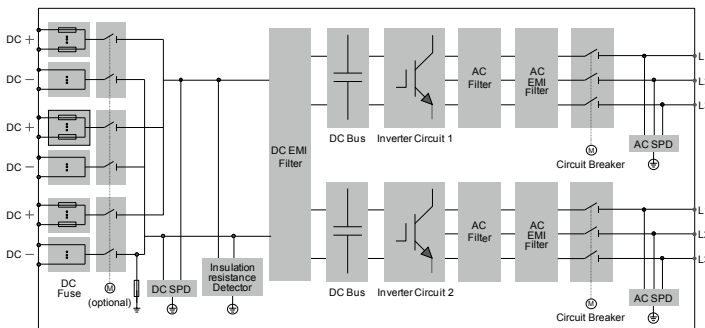
SAVED INVESTMENT

- Low transportation and installation cost due to 10-foot container design
- DC 1500 V system, low system cost
- Q at night function optional

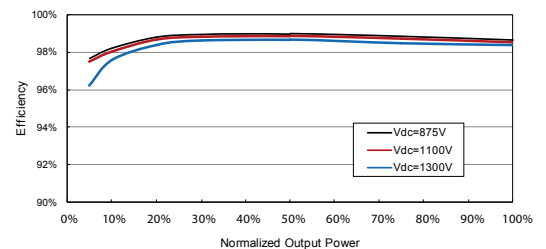
GRID SUPPORT

- Compliance with standards: IEC 62116, IEC 61727
- Low/High voltage ride through (L/HVRT)
- Active & reactive power control and power ramp rate control

CIRCUIT DIAGRAM



EFFICIENCY CURVE (SG3400HV-20)



Type designation	SG3400HV-20	SG3125HV-20	SG2500HV-20
Input (DC)			
Max. PV input voltage		1500 V	
Min. PV input voltage / Startup input voltage	875 V / 915 V	875 V / 915 V	800 V / 840 V
MPP voltage range for nominal power	875 – 1300 V	875 – 1300 V	800 – 1300 V
No. of independent MPP inputs		1	
No. of DC inputs	18(optional: 22/24 inputs negative grounding or floating; 28 inputs negative grounding)		18 – 24
Max. PV input current	4178 A	4178 A	3508 A
Max. DC short-circuit current	5000 A	5000 A	4800 A
Output (AC)			
AC output power	3593 kVA @ 25 °C / 3437 kVA @ 45 °C	3593 kVA@ 25 °C / 3437 kVA@ 45 °C / 3125 kVA@ 50 °C	2750 kVA@ 45 °C / 2500 kVA@ 50 °C
Max. AC output current	3458 A	3458 A	2886 A
Nominal AC voltage	600 V	600 V	550 V
AC voltage range	480 – 690 V	480 – 690 V	495 – 605 V
Nominal grid frequency / Grid frequency range		50 Hz / 45 – 55 Hz, 60 Hz / 55 – 65 Hz	
THD		< 3 % (at nominal power)	
DC current injection		< 0.5 % I _n	
Power factor at nominal power / Adjustable power factor		> 0.99 / 0.8 leading – 0.8 lagging	
Feed-in phases / Connection phases		3 / 3	
Efficiency			
Inverter Max. efficiency		99.0%	
Inverter Euro. efficiency		98.7%	
Protection and Function			
DC input protection		Load break switch + fuse	
AC output protection		Circuit breaker	
Overvoltage protection		DC Type I + II / AC Type II	
Grid monitoring / Ground fault monitoring		Yes / Yes	
Insulation monitoring		Yes	
Overheat protection		Yes	
Q at night function		Optional	
General Data			
Dimensions (W*H*D)		2991*2591*2438 mm	
Weight		6.5 T	
Isolation method		Transformerless	
Degree of protection	IP55	IP55	IP54
Operating ambient temperature range	-35 to 60 °C (> 45 °C derating)	-35 to 60 °C (> 50 °C derating)	-35 to 60 °C (> 50 °C derating)
Allowable relative humidity range (non-condensing)		0 – 95 %	
Cooling method		Temperature controlled forced air cooling	
Max. operating altitude	4000 m (> 2300 m derating)	4000 m (>3000 m derating)	4000 m (> 2000 m derating)
Display		Touch screen	
Communication		Standard: RS485, Ethernet; Optional: optical fiber	
Compliance		CE, IEC 62109, IEC 61727, IEC 62116	
Grid support		Q at night function (optional), L/HVRT, active & reactive power control and power ramp rate control	

