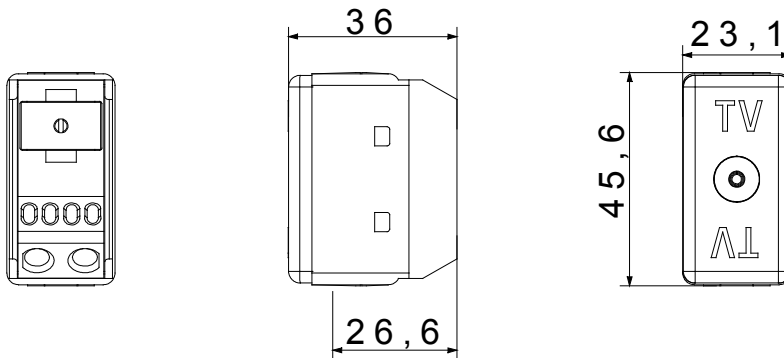




The System modular devices allow the creation of infinite combinations of devices and plates, through a complete range that covers all design, functional and installation needs. Colours and finishes: satin black, elegant and classy. The range includes control units, socket-outlets, breakers, indicators, connectors and devices for the control, safety and comfort of your home.  
Item designated solely for export to a limited number of countries outside of the European Union or where European Directives are not applied.

Categorie	Priză TV	Descriere	Direct
Tip	-	Culoare	Negru
Atenuarea	0 dB	Frecvență	40 - 860 MHz
Ecranare	-	Pentru tipul de conector	IEC Female Ø 9,5 mm
Standard	-	Nr. Module DE SISTEM	1
Fixare cablu	Conținut	Carcasă	-
Material	Tehnopolimer	Electrocod	0131

### DIMENSIONAL



### STANDARDS/APPROVALS

