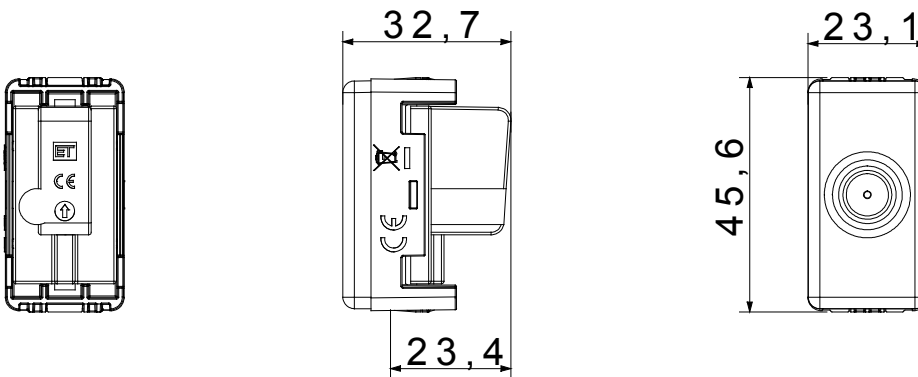




The System modular devices allow the creation of infinite combinations of devices and plates, through a complete range that covers all design, functional and installation needs. Colours and finishes: satin black, elegant and classy. The range includes control units, socket-outlets, breakers, indicators, connectors and devices for the control, safety and comfort of your home.

Categorie	Priză TV	Descriere	Direct
Tip	Cu trecere de curent	Culoare	Negru
Atenuarea	0 dB	Frecvență	5 - 2400 MHz
Ecranare	Clasa A	Pentru tipul de conector	IEC-Male
Standard	EN 60728-4; IEC 61169-2	Nr. Module DE SISTEM	1
Fixare cablu	Conținut	Carcasă	Turnare sub presiune corp metalic zamak
Material	Tehnopolimer	Electrocod	0131

### DIMENSIONAL



### STANDARDS/APPROVALS

