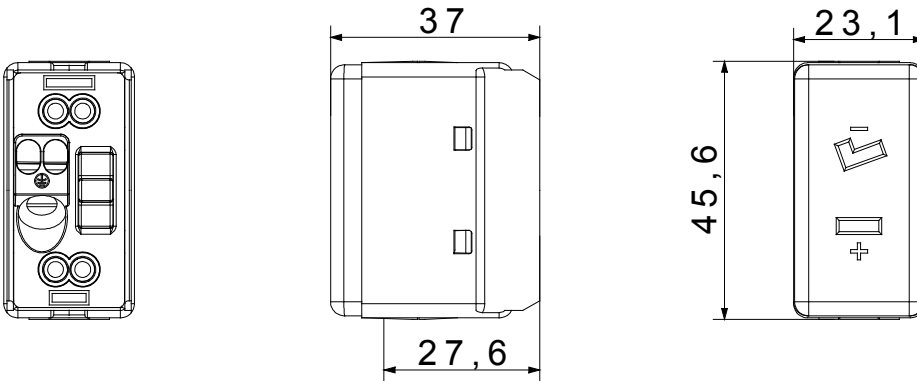




The System modular devices make it possible to create infinite combination between devices and plates, thanks to a complete range that is able to satisfy all design, functional and installation requirements. Colour and finiture: glossy white, bright and versatile
The range includes commands, socket- outlets, protection, indicators, connectors and devices for the control, safety and comfort of your home.

Categorie	- Descriere		2P - 6A - 24V polarizat
Pentru știfturi de conectare	Plat	DISTANȚĂ CENTRU 57	12.4 mm
Termo-presiune cu bilă	125 °C	Test de încercare cu fir incandescent	850 °C
Capacitate de strângere borne cabluri torsadate (mm ²)	min. 0,75 - max. 2x4	Capacitate de strângere a bornelor cabluri solide (mm ²)	min. 0,5 - max. 2x2,5
Culoare	Alb	Nr. Module DE SISTEM	1
Fixare cablu	Conținut	Material	Tehnopolimer
Electrocod	0131		

DIMENSIONAL



TECHNICAL SYMBOLOGY



STANDARDS/APPROVALS

