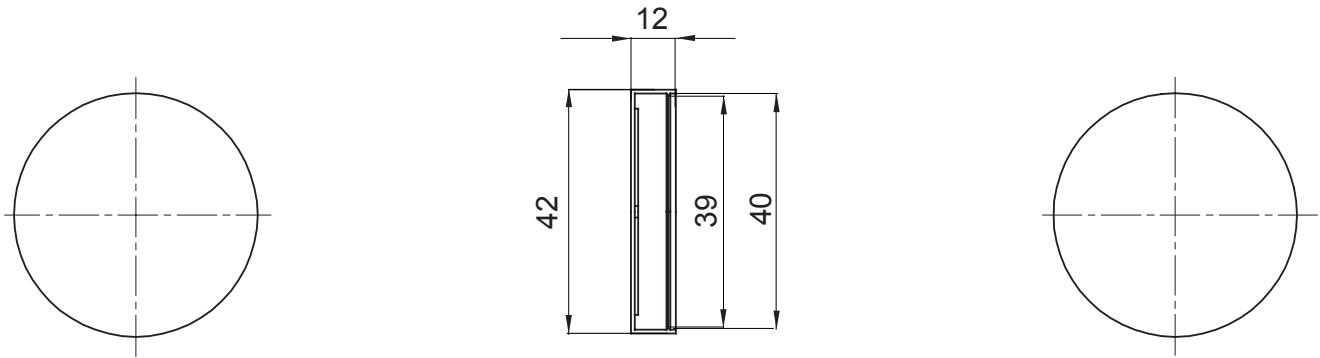


Culoare	Gri RAL 7035	Material	PP
Conducte Ø (mm)	40	Electrocod	210

### DIMENSIONAL



### STANDARDS/APPROVALS

