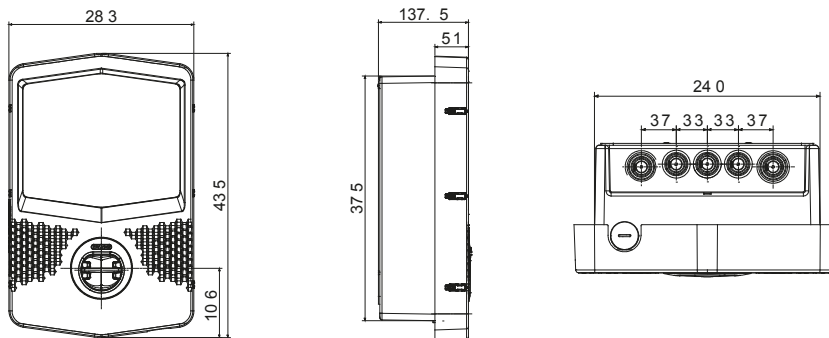




I-CON EVO wallboxes are JOINON solutions designed to integrate into private and semi-public scenarios in accordance with the international standard IEC 61851-1 ed. 3. They are distinguished by both an elegant and compact design and special "one-hand charge" functionality. At the same time, the presence of a vandal-proof socket and IP55 degree combined with IK11-certified mechanical strength make them safe and reliable solutions. In addition, I-CON EVO wallboxes feature full connectivity to support the related JOINON EVO App for full and easy control of charging, intelligent management of loads and additional energy produced by any photovoltaic panels (also in Master/Slave mode), and several installation options: wall-mounted, flush-mounted, or floor-mounted.

| | | | |
|--|-------------------------------|-----------------------------|-----------------------------------|
| Charging way | Mode 3 | Charging sockets | Type 2 |
| Connector type | Fixed socket (IPxxD) | Cable length (if available) | - |
| Electrical and Mechanical Characteristics | | | |
| Terminal blocks | 3 x 10 mm ² | Nominal tension | 230 V |
| Total Maximum Current | 32 A | Power max. | 7,4 kW |
| User protection | DC Leakage 6mA | Meter | - |
| Installation | Wall / Flush / Floor mounting | Material | POST-INDUSTRIAL recycled material |
| IP degree | IP55 | Mechanical resistance | IK11 |
| Operating temperature | From -25°C to +55°C | - | - |
| Functional characteristics | | | |
| Connectivity | Wifi | Communication | OCPP 1.6J |
| Load Management | DLM/PV BOOST | Charging activation | FREE/APP |
| Human Interface | LED | Master/Slave | - |
| "Over-the-air" updates | Yes | Programmable Remote Contact | Yes |
| Local directives | - | - | - |
| Accessories available | | | |
| DLM CT KIT for load management | GWJ8037 Single-phase | Single-sided floor support | GWJ8102 |
| Flush mounting backbox | GWJ8101 | Double-sided floor support | GWJ8103 |
| Protective cover | - | RFID Card | - |
| 4G modem kits | GWJ8111 | - | - |

DIMENSIONAL



TECHNICAL SYMBOLOGY

IP **IK**

IP55

IK11

STANDARDS/APPROVALS

